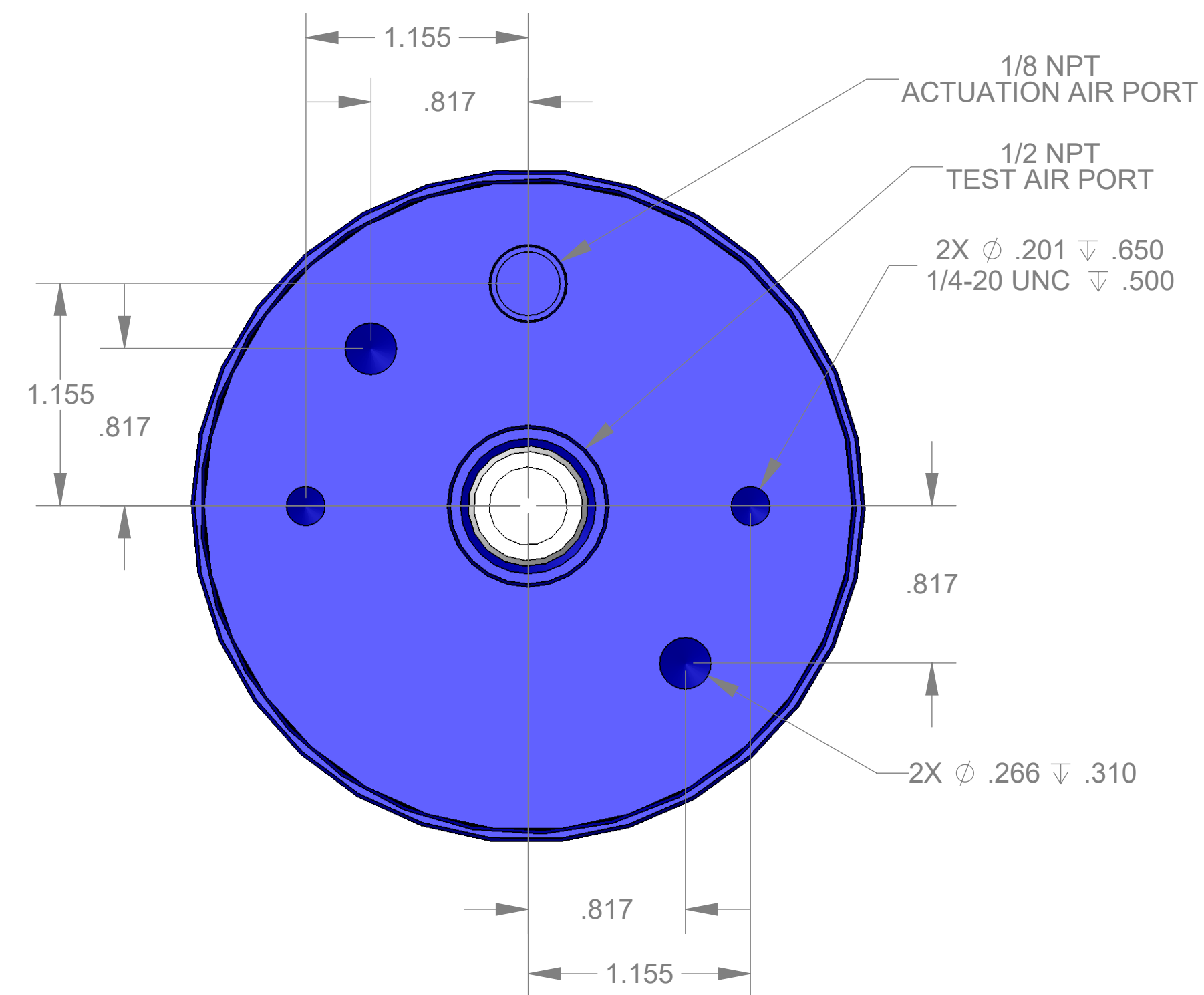
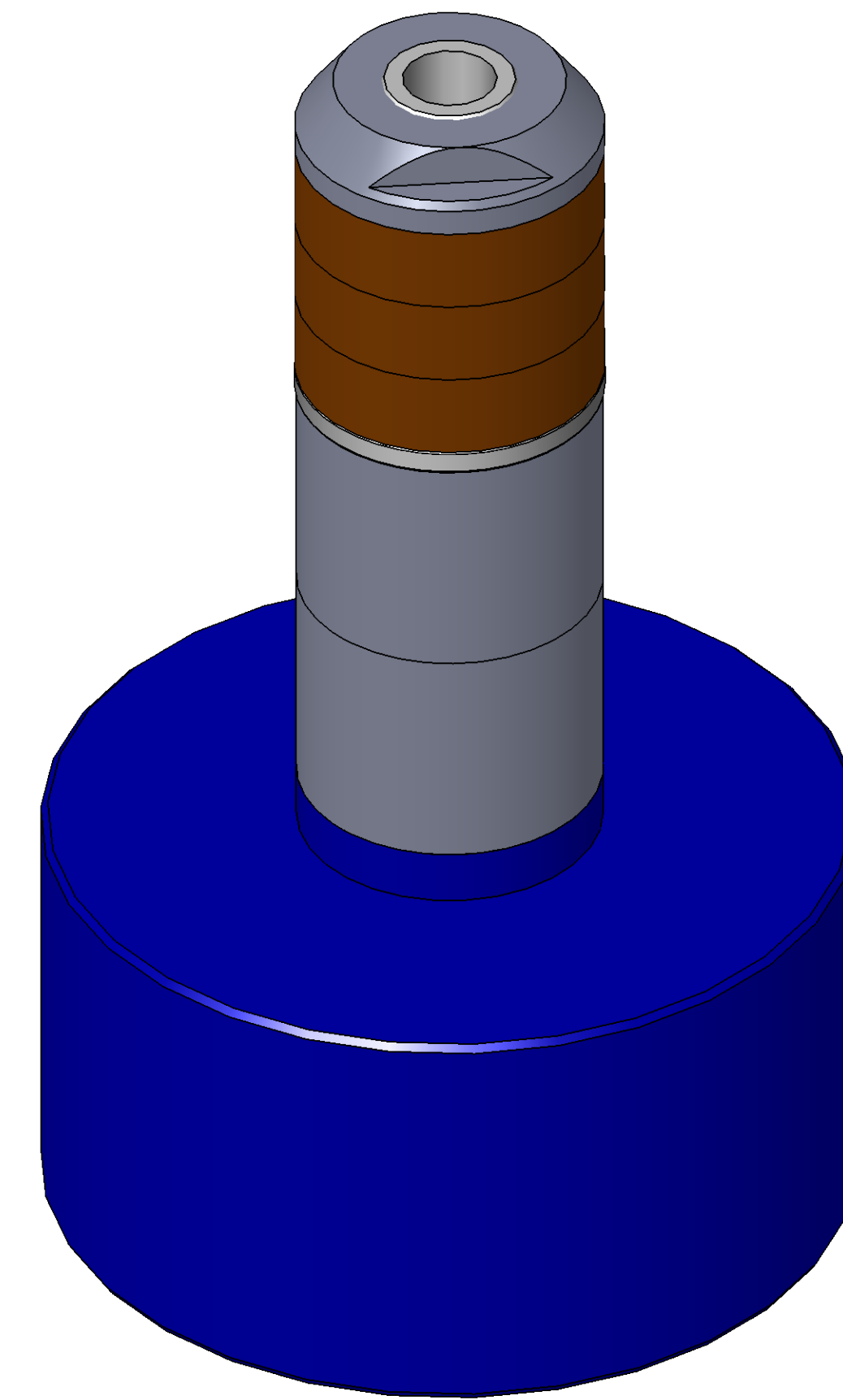


| ITEM NO. | PART NUMBER | DESCRIPTION                 | QTY. |
|----------|-------------|-----------------------------|------|
| 10       | MACH-004185 | Body, CTS, CI35             | 1    |
| 20       | MACH-004252 | Cap, CTS, CI35              | 1    |
| 30       | MACH-054221 | Stem, CTS, CI35-E2.0        | 1    |
| 40       | MACH-004591 | Spacer, CTS, CI35           | 1    |
| 50       | SEAL-005449 | CI35-ORING 210              | 1    |
| 60       | SEAL-005443 | CI35-ORING 337              | 1    |
| 70       | MACH-004338 | Nose, CTS, CI35-AA          | 1    |
| 80       | SEAL-004909 | Seal, CTS, CI35-AA          | 3    |
| 90       | MACH-004460 | Washer, CTS, CI35-AA        | 1    |
| 100      | MACH-004592 | Spacer Extension, CTS, CI35 | 2    |



| REVISIONS |   |            |          |
|-----------|---|------------|----------|
| REV.      | DESCRIPTION   | DATE       | APPROVED |
| A         | Initial Release   | 01-22-2026 | KM       |
| B         | Nose material changed from brass to 316 stainless steel | 03-12-2026 | KM       |



10100 PROGRESS WAY HARRISON, OH 45030

|             |             |             |                                     |
|-------------|-------------|-------------|-------------------------------------|
| SIZE        | D           | DESCRIPTION | Connect Assembly, CTS, CI35-AA-E2.0 |
| PART NUMBER | CTSC-001770 |             | REV B                               |
| DATE        | 11/04/05    | DRAWN BY KM | CHECKED BY KM SHEET 1 OF 1          |

FILE LOCATION: C:\PDM\PDM\R&D Product Development\CTS Connects\C1\Connect Assembly\Standard\CI35\2in Stem Extension\CTSC-001770

Thursday, March 12, 2026