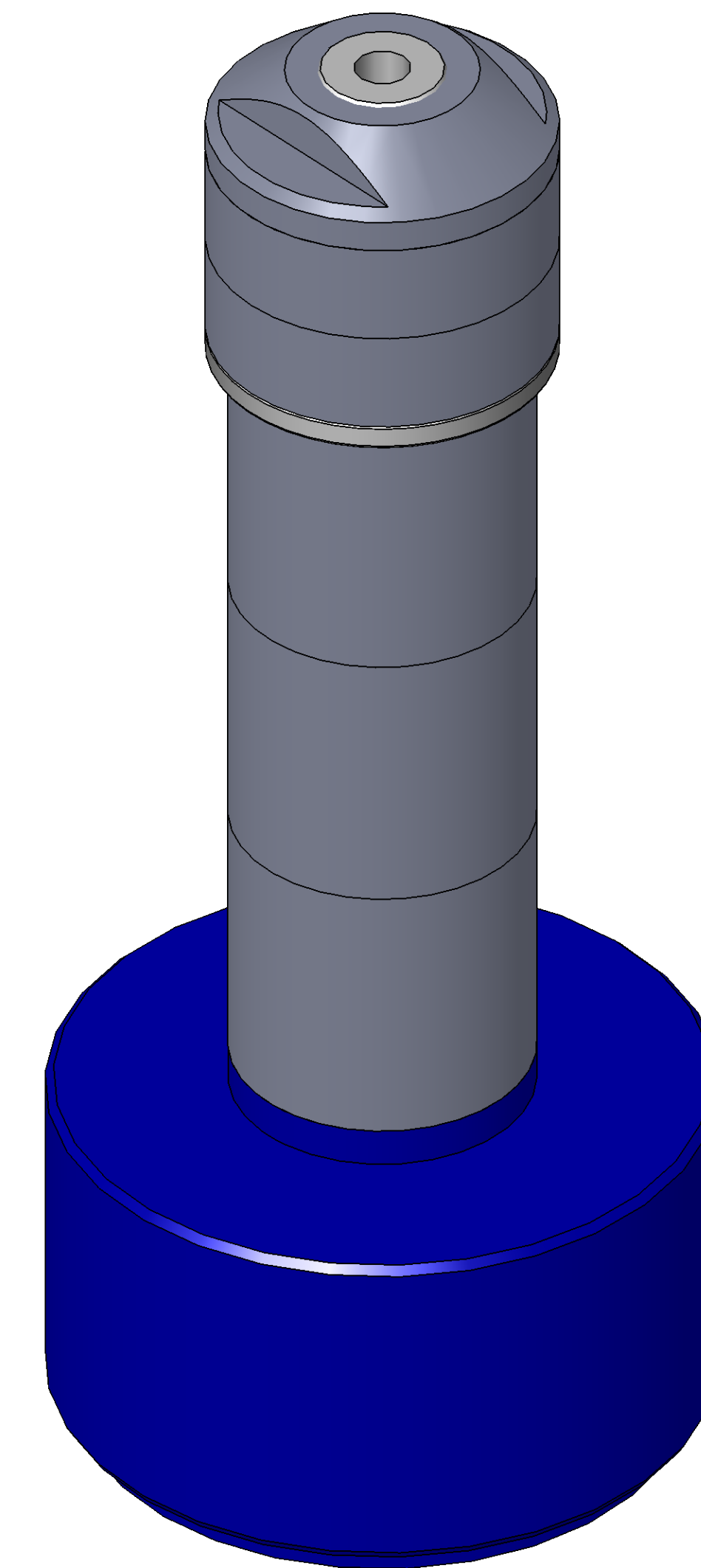


SECTION A-A

ITEM NO.	PART NUMBER	DESCRIPTION	QTY.
10	MACH-004184	Body, CTS, CI34	1
20	MACH-004251	Cap, CTS, CI34	1
30	MACH-054217	Stem, CTS, CI34-E3.0	1
40	MACH-004973	Spacer, CTS, CI34	1
50	SEAL-005437	CI33-ORING 113	1
60	SEAL-005441	CI33-ORING 225	1
70	MACH-004333	Nose, CTS, CI34-AD	1
80	SEAL-004887	Seal, CTS, CI34-AD-M	2
90	MACH-004455	Washer, CTS, CI34-AD	1
100	MACH-004589	Spacer Extension, CTS, CI34	3



REVISIONS			
REV.	DESCRIPTION	DATE	APPROVED
A	Initial Release	03-16-2026	KM
B	Changed material of nose and seal	03-17-2026	KM



10100 PROGRESS WAY HARRISON, OH 45030

SIZE	DESCRIPTION	REV
D	Connect Assembly, CTS, CI34-AD-E3.0-M	B
PART NUMBER	CTSC-001757	
DATE	DRAWN BY: KM	CHECKED BY: KM
	SHEET 1	OF 1