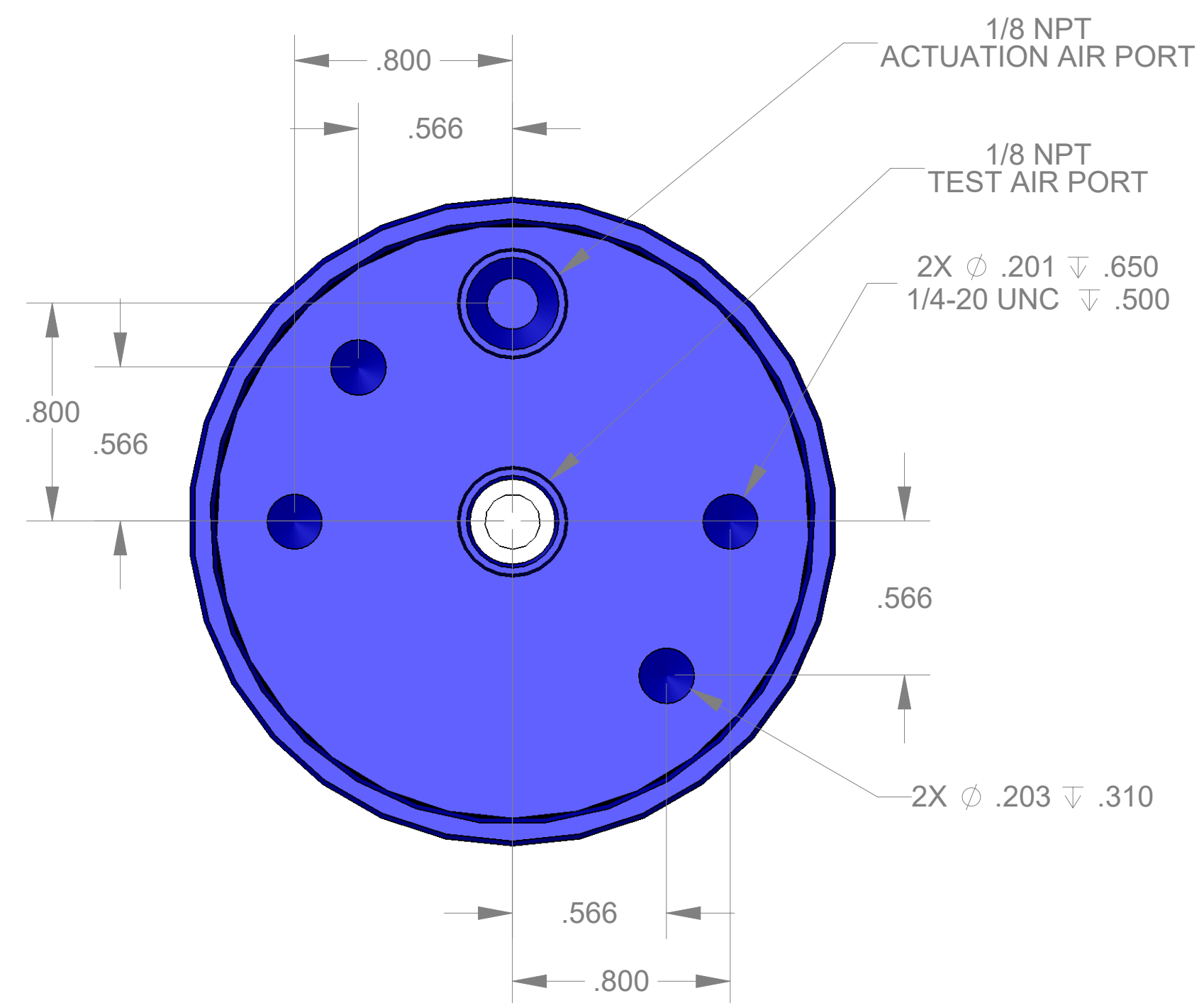
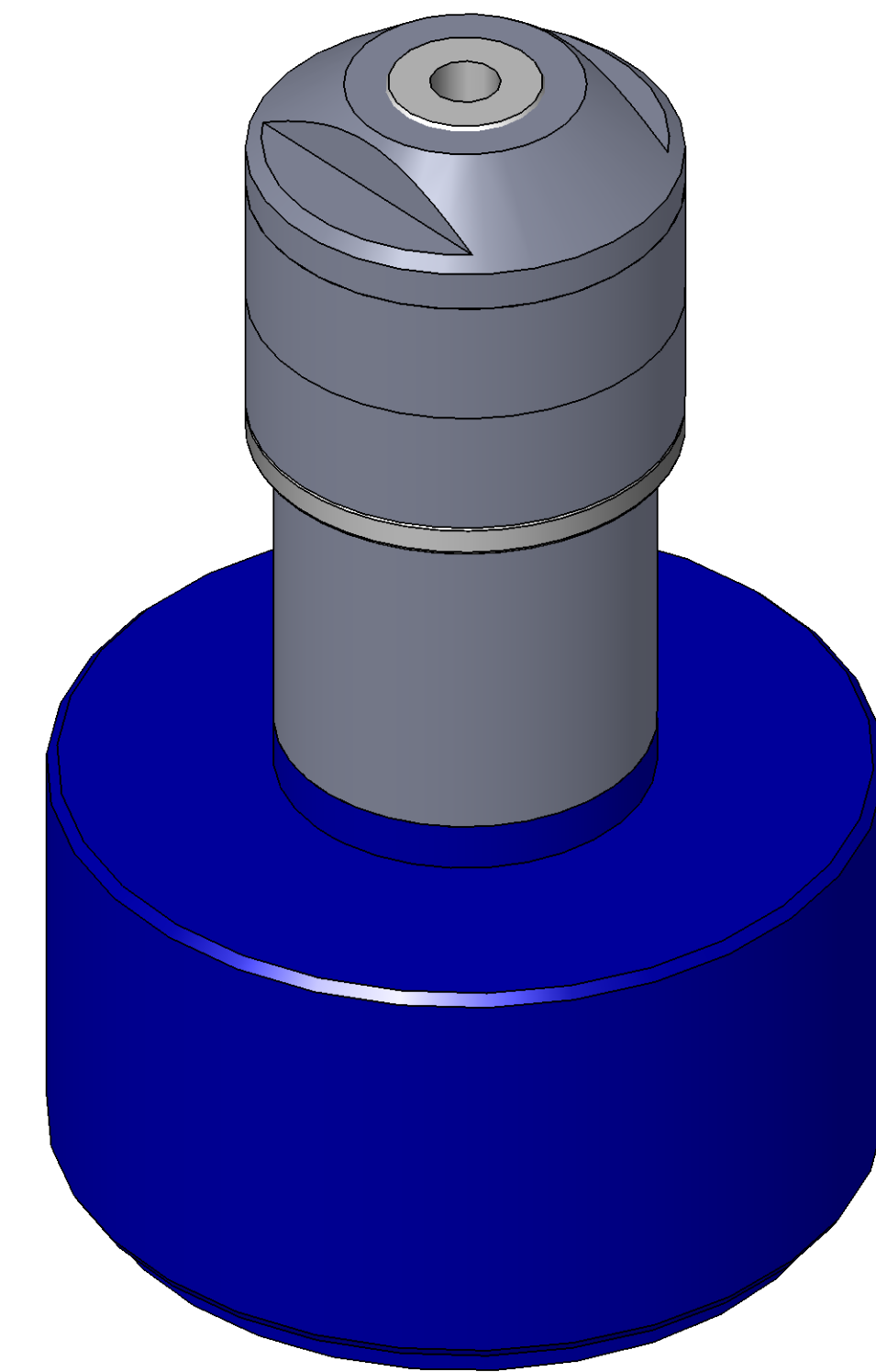


ITEM NO.	PART NUMBER	DESCRIPTION	QTY.
10	MACH-004184	Body, CTS, CI34	1
20	MACH-004251	Cap, CTS, CI34	1
30	MACH-054215	Stem, CTS, CI34-E1.0	1
40	MACH-004973	Spacer, CTS, CI34	1
50	SEAL-005437	CI33-ORING 113	1
60	SEAL-005441	CI33-ORING 225	1
70	MACH-004333	Nose, CTS, CI34-AD	1
80	SEAL-004887	Seal, CTS, CI34-AD-M	2
90	MACH-004455	Washer, CTS, CI34-AD	1
100	MACH-004589	Spacer Extension, CTS, CI34	1



REVISIONS			
REV.	DESCRIPTION	DATE	APPROVED
A	Initial Release	03-13-2026	KM
B	Changed material of nose and seal	03-17-2026	KM



SIZE	D	DESCRIPTION	Connect Assembly, CTS, CI34-AD-E1.0-M
PART NUMBER	CTSC-001755	REV	B
DATE		DRAWN BY: KM	CHECKED BY: KM
		SHEET	1 OF 1

FILE LOCATION: C:\PDM\PDM\R&D\Product Development\CTS Connects\CI\Connect Assembly\Medical\CI34-M\1in Stem Extension\CTSC-001755

Tuesday, March 17, 2026