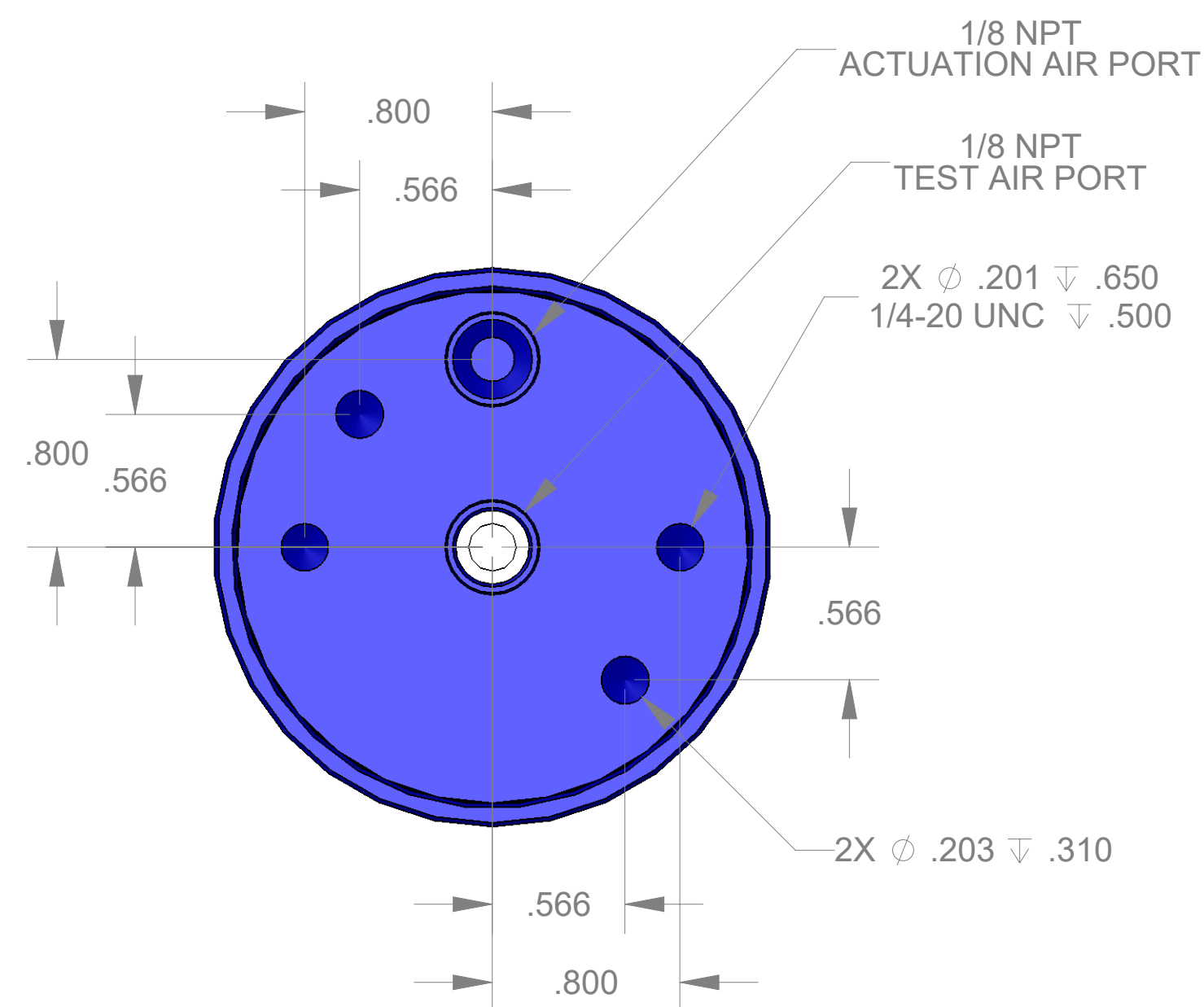
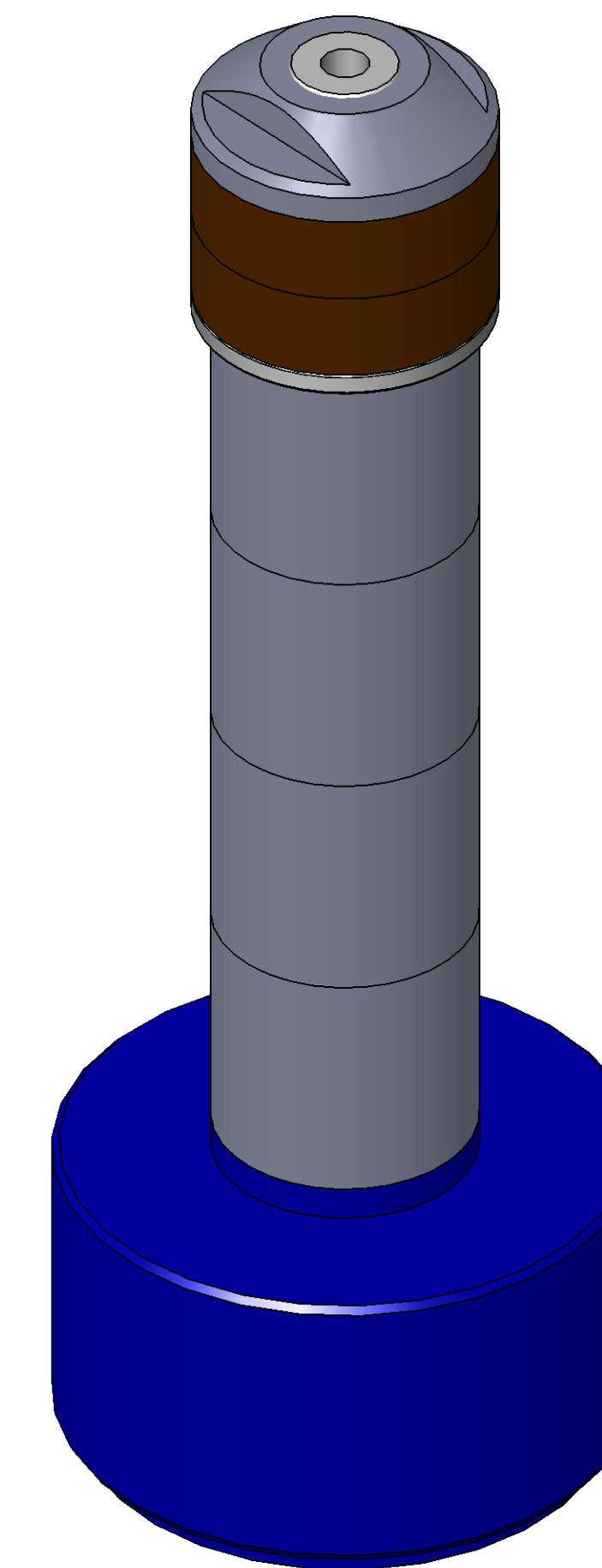


SECTION A-A  
SCALE 3 : 2

ITEM NO.	PART NUMBER	DESCRIPTION	QTY.
10	MACH-004184	Body, CTS, CI34	1
20	MACH-004251	Cap, CTS, CI34	1
30	MACH-054218	Stem, CTS, CI34-E4.0	1
40	MACH-004973	Spacer, CTS, CI34	1
50	SEAL-005437	CI33-ORING 113	1
60	SEAL-005441	CI33-ORING 225	1
70	MACH-004333	Nose, CTS, CI34-AD	1
80	SEAL-004887	Seal, CTS, CI34-AD	2
90	MACH-004455	Washer, CTS, CI34-AD	1
100	MACH-004589	Spacer Extension, CTS, CI34	4



REVISIONS			
REV.	DESCRIPTION	DATE	APPROVED
A	Initial Release	03-10-2026	KM
B	Nose material changed from brass to 316 stainless steel	03-12-2026	KM



SIZE	D	DESCRIPTION	Connect Assembly, CTS, CI34-AD-E4.0
PART NUMBER	CTSC-001753		REV B
DATE	7/19/05	DRAWN BY KM	CHECKED BY KM SHEET 1 OF 1