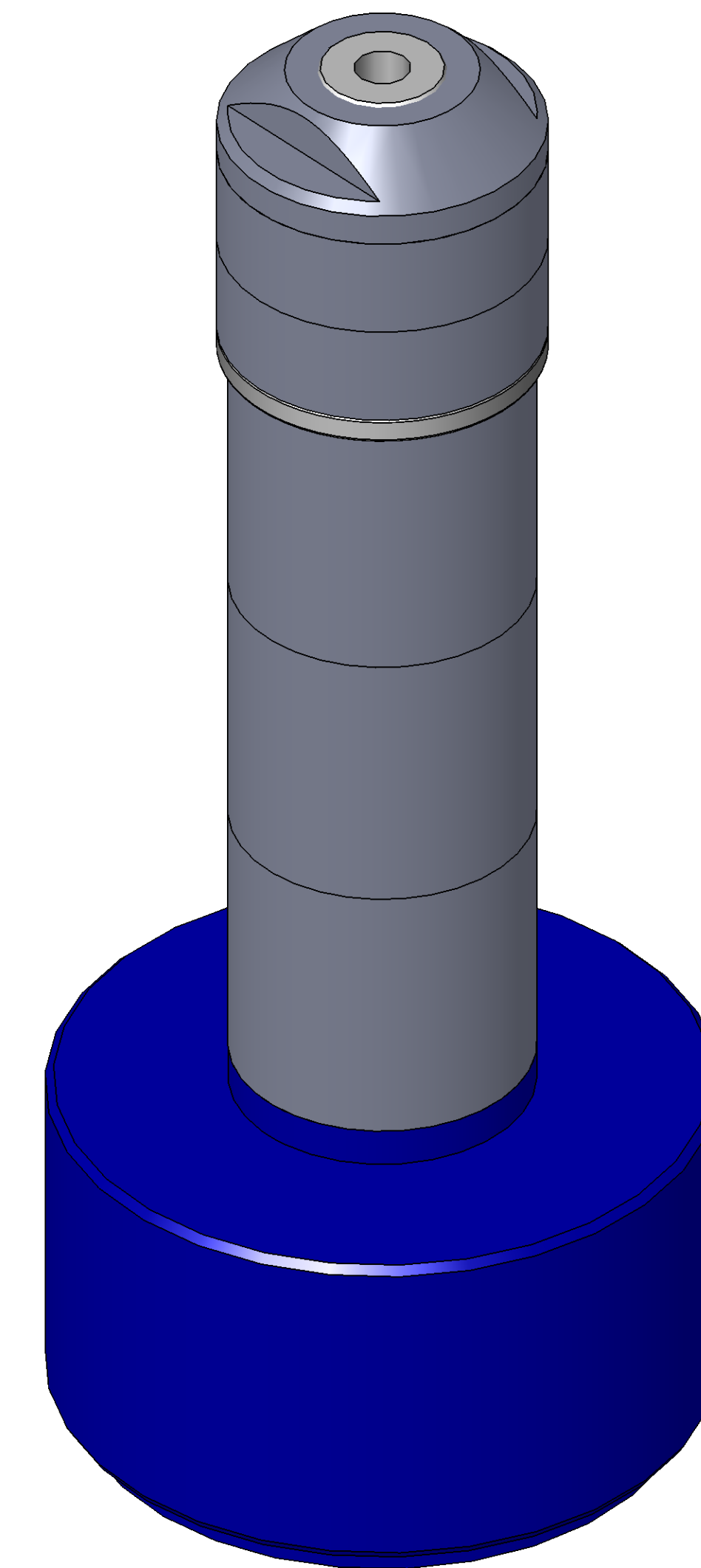


SECTION A-A

ITEM NO.	PART NUMBER	DESCRIPTION	QTY.
10	MACH-004184	Body, CTS, CI34	1
20	MACH-004251	Cap, CTS, CI34	1
30	MACH-054217	Stem, CTS, CI34-E3.0	1
40	MACH-004973	Spacer, CTS, CI34	1
50	SEAL-005437	CI33-ORING 113	1
60	SEAL-005441	CI33-ORING 225	1
70	MACH-004331	Nose, CTS, CI34-AC	1
80	SEAL-004885	Seal, CTS, CI34-AC-M	2
90	MACH-004454	Washer, CTS, CI34-AC	1
100	MACH-004589	Spacer Extension, CTS, CI34	3



REVISIONS			
REV.	DESCRIPTION	DATE	APPROVED
A	Initial Release	03-16-2026	KM
B	Changed material of nose and seal	03-17-2026	KM



SIZE	D	DESCRIPTION	Connect Assembly, CTS, CI34-AC-E3.0-M
PART NUMBER	CTSC-001743		REV B
DATE	DRAWN BY: KM	CHECKED BY: KM	SHEET 1 OF 1

FILE LOCATION: C:\PDM\PDM\R&D\Product Development\CTS Connects\C\Connect Assembly\Medical\CI34-M\3in Stem Extension\CTSC-001743