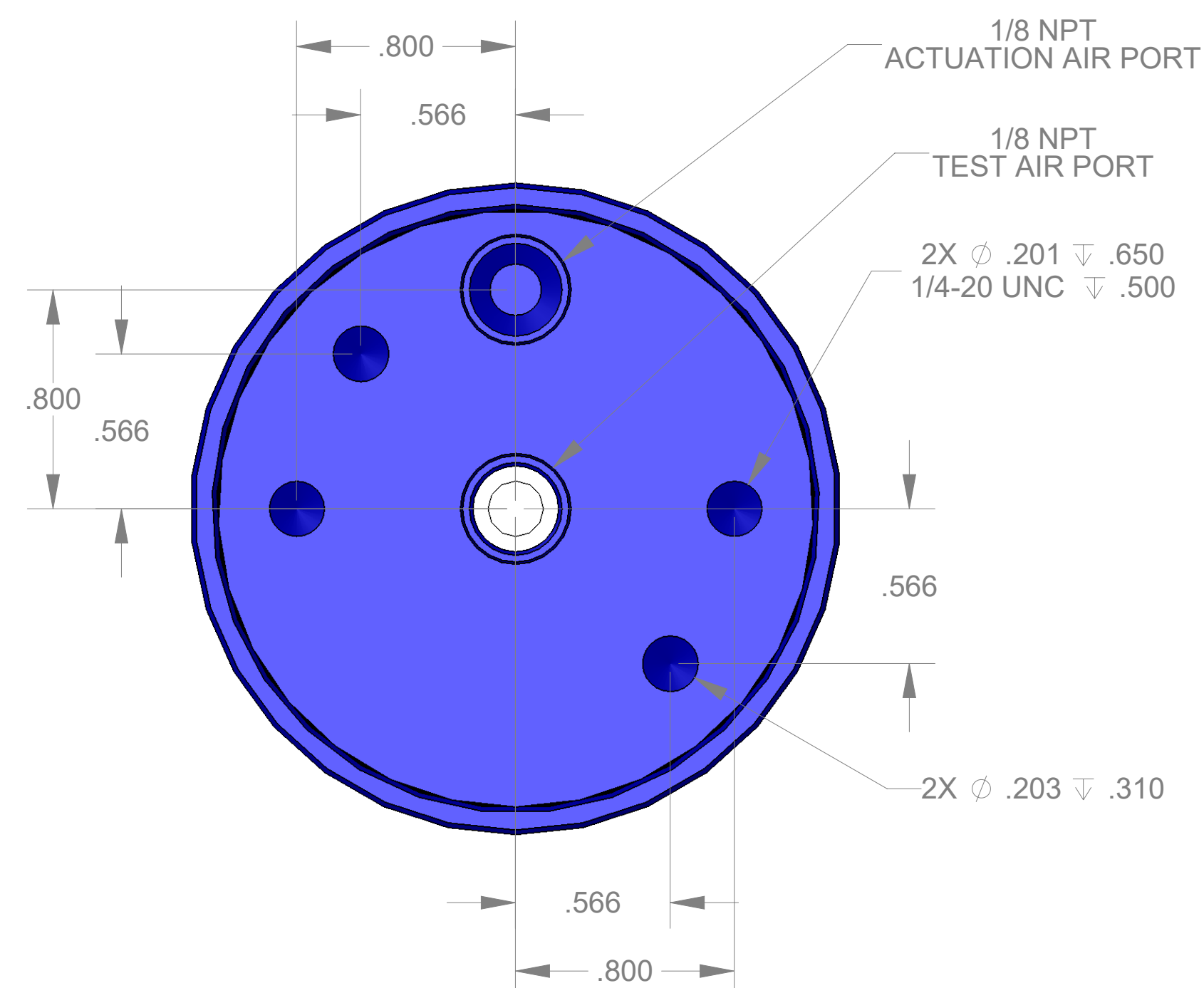
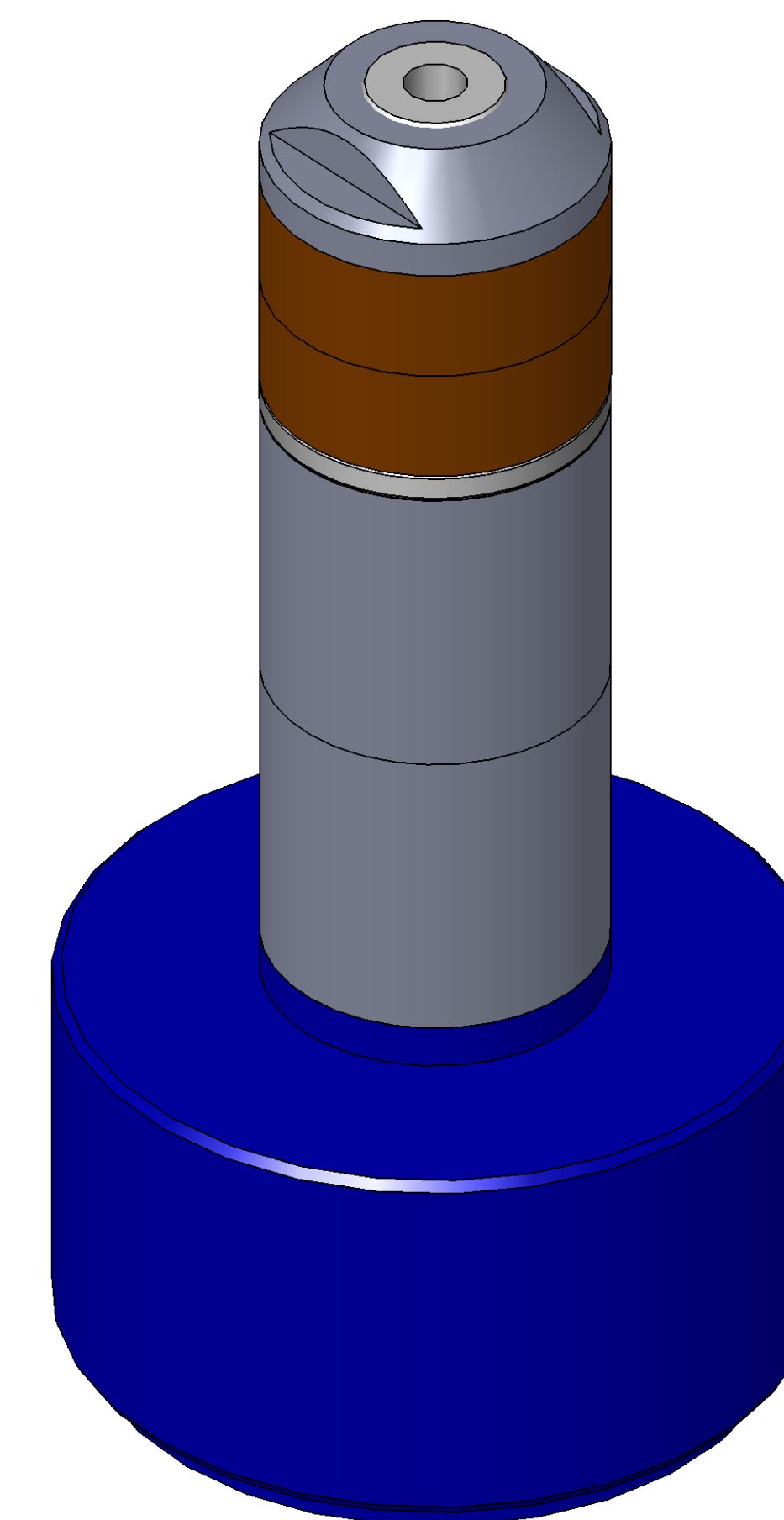


SECTION A-A

ITEM NO.	PART NUMBER	DESCRIPTION	QTY.
10	MACH-004184	Body, CTS, CI34	1
20	MACH-004251	Cap, CTS, CI34	1
30	MACH-054216	Stem, CTS, CI34-E2.0	1
40	MACH-004973	Spacer, CTS, CI34	1
50	SEAL-005437	CI33-ORING 113	1
60	SEAL-005441	CI33-ORING 225	1
70	MACH-004328	Nose, CTS, CI34-AA	1
80	SEAL-004874	Seal, CTS, CI34-AA	2
90	MACH-004452	Washer, CTS, CI34-AA	1
100	MACH-004589	Spacer Extension, CTS, CI34	2



REVISIONS			
REV.	DESCRIPTION	DATE	APPROVED
A	Initial Release	01-21-2026	KM
B	Nose material changed from brass to 316 stainless steel	03-12-2026	KM



SIZE	D	DESCRIPTION	Connect Assembly, CTS, CI34-AA-E2.0
PART NUMBER	CTSC-001709	REV	B
DATE	7/19/05	DRAWN BY	KM
CHECKED BY	KM	SHEET	1 OF 1