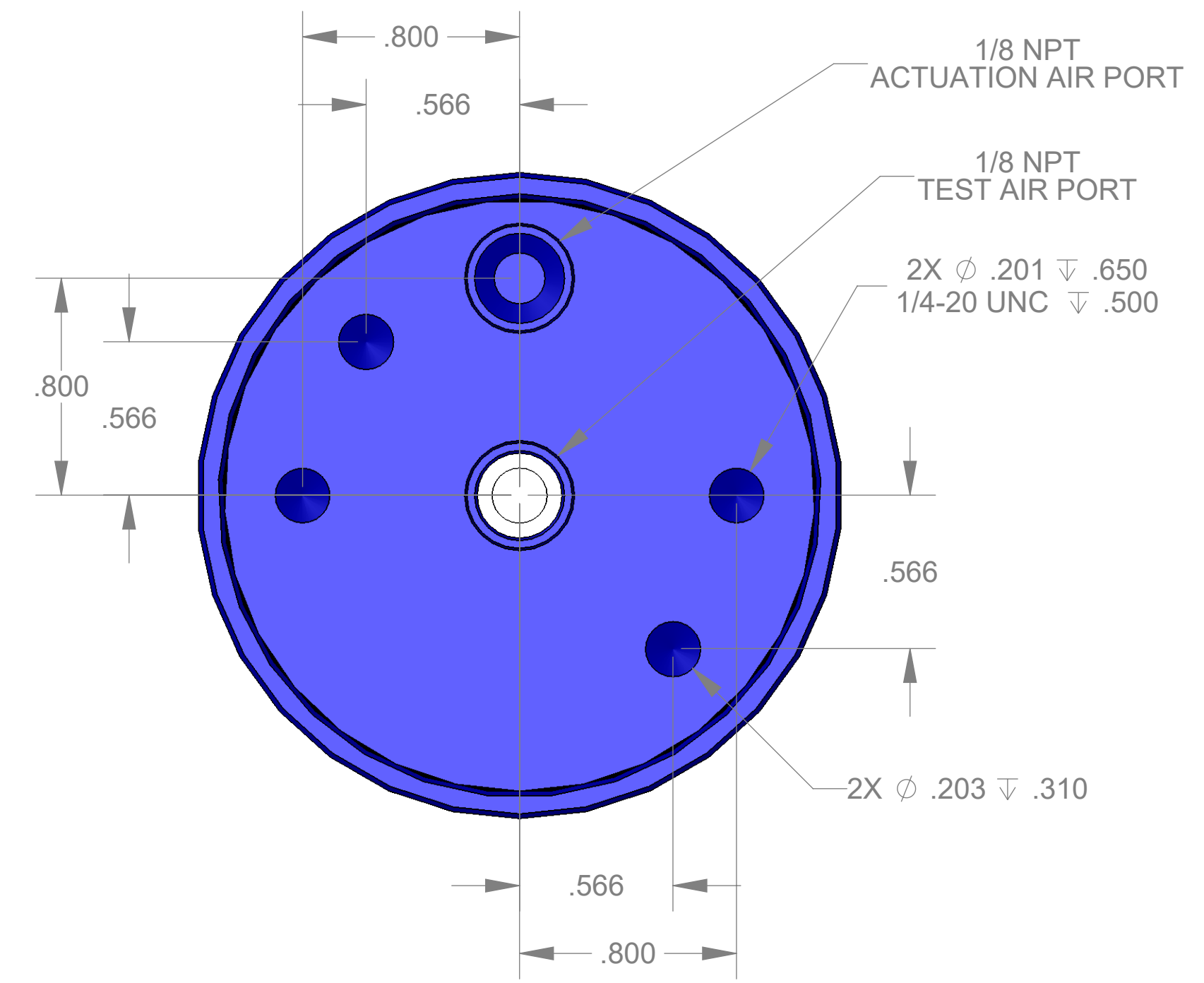
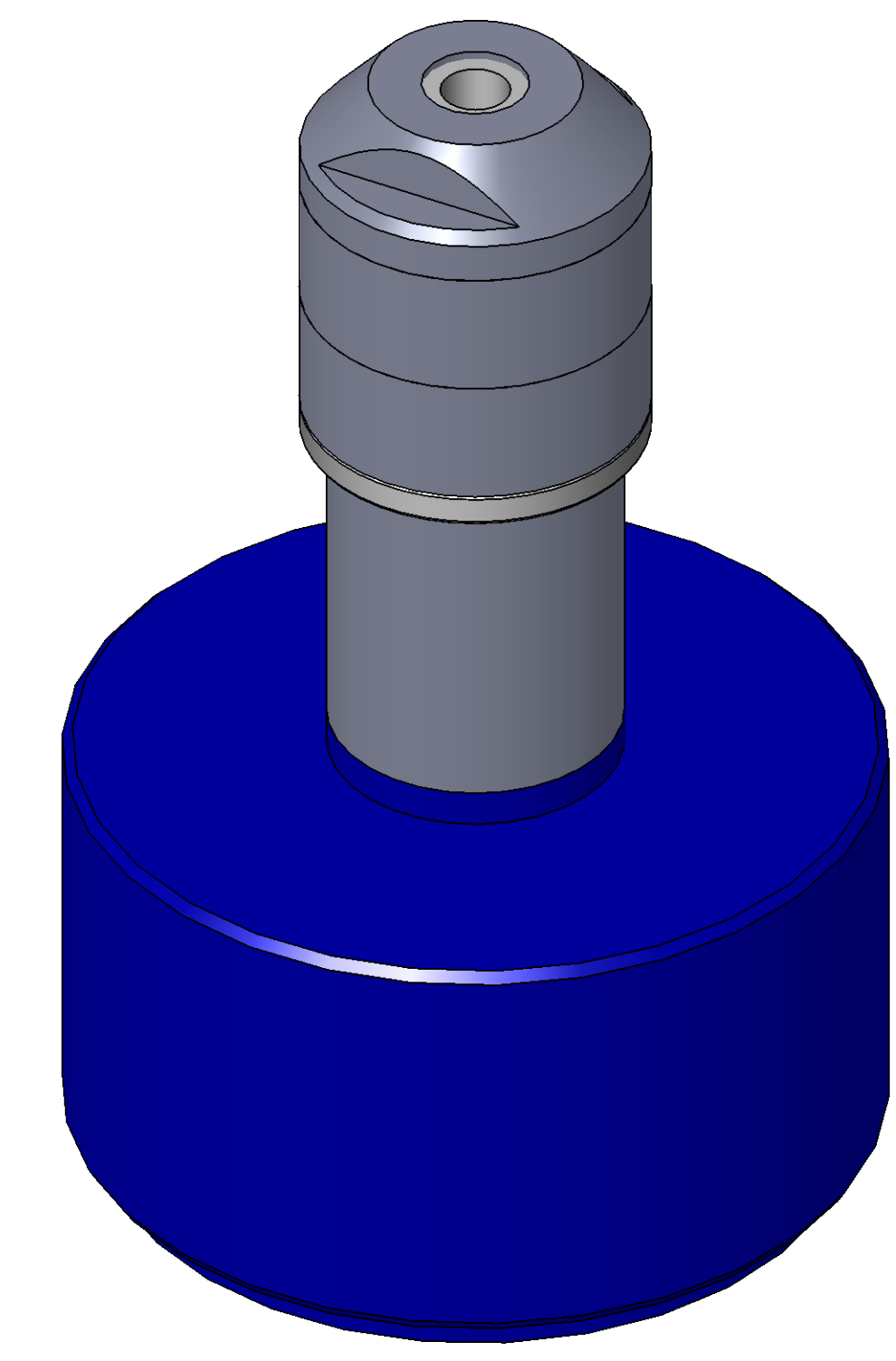


SECTION A-A

| ITEM NO. | PART NUMBER | DESCRIPTION | QTY. |
|----------|-------------|-----------------------------|------|
| 10 | MACH-004183 | Body, CTS, CI33 | 1 |
| 20 | MACH-004250 | Cap, CTS, CI33 | 1 |
| 30 | MACH-054211 | Stem, CTS, CI33-E1.0 | 1 |
| 40 | MACH-004585 | Spacer, CTS, CI33 | 1 |
| 50 | SEAL-005437 | CI33-ORING 113 | 1 |
| 60 | SEAL-005441 | CI33-ORING 225 | 1 |
| 70 | MACH-004320 | Nose, CTS, CI33-AD | 1 |
| 80 | SEAL-004863 | Seal, CTS, CI33-AD-M | 2 |
| 90 | MACH-004446 | Washer, CTS, CI33-AD | 1 |
| 100 | MACH-004586 | Spacer Extension, CTS, CI33 | 1 |



| REVISIONS | | | |
|-----------|-----------------------------------|------------|----------|
| REV. | DESCRIPTION | DATE | APPROVED |
| A | Initial Release | 03-13-2026 | KM |
| B | Changed material of nose and seal | 03-16-2026 | KM |



| | | |
|-------------|---------------------------------------|----------------|
| SIZE | DESCRIPTION | REV |
| D | Connect Assembly, CTS, CI33-AD-E1.0-M | B |
| PART NUMBER | CTSC-001694 | |
| DATE | DRAWN BY: KM | CHECKED BY: KM |
| | SHEET 1 | OF 1 |

FILE LOCATION: C:\PDM\PDM\R&D\Product Development\CTS Connects\C\Connect Assembly\Medical\CI33-M\1in Stem Extension\CTSC-001694

Monday, March 16, 2026