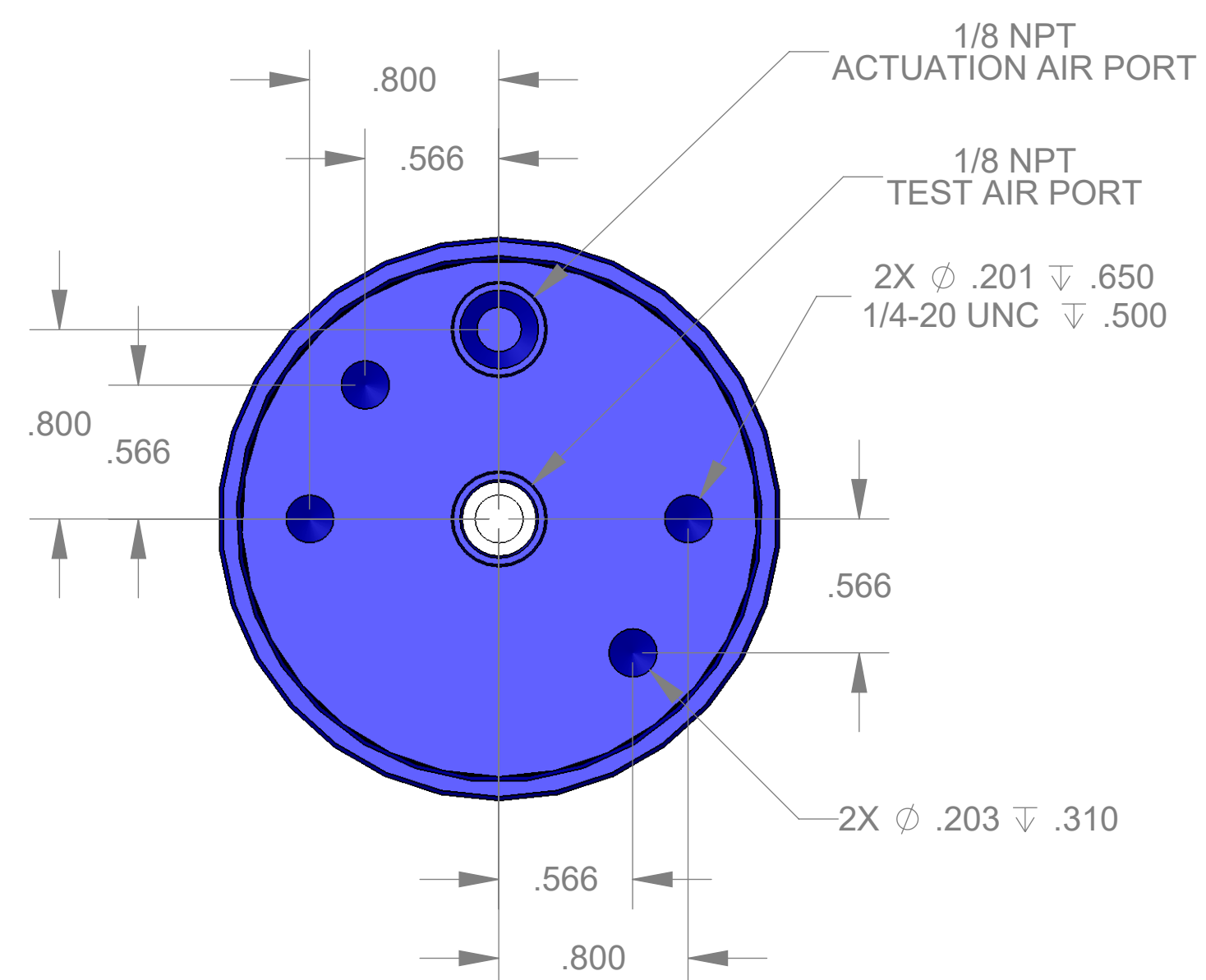
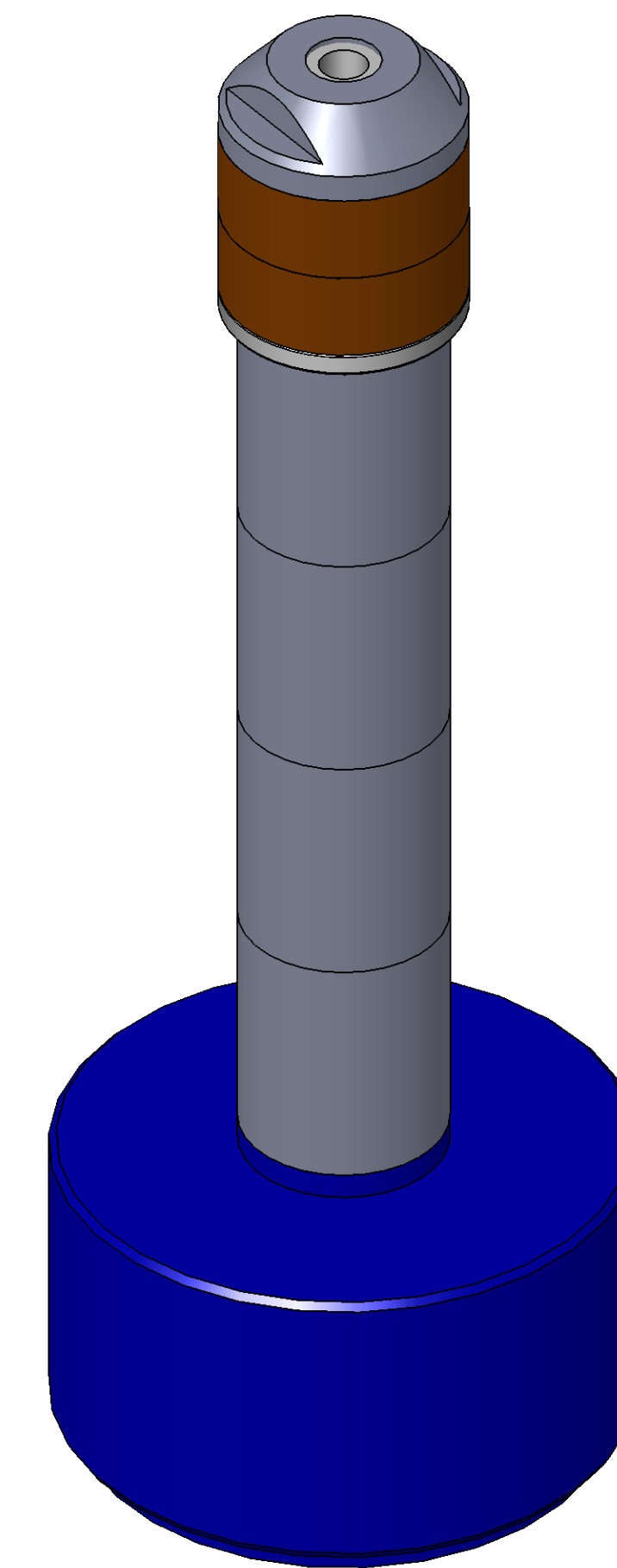


SECTION A-A
SCALE 3 : 2

ITEM NO.	PART NUMBER	DESCRIPTION	QTY.
10	MACH-004183	Body, CTS, CI33	1
20	MACH-004250	Cap, CTS, CI33	1
30	MACH-054214	Stem, CTS, CI33-E4.0	1
40	MACH-004585	Spacer, CTS, CI33	1
50	SEAL-005437	CI33-ORING 113	1
60	SEAL-005441	CI33-ORING 225	1
70	MACH-004320	Nose, CTS, CI33-AD	1
80	SEAL-004860	Seal, CTS, CI33-AD	2
90	MACH-004446	Washer, CTS, CI33-AD	1
100	MACH-004586	Spacer Extension, CTS, CI33	4



REVISIONS			
REV.	DESCRIPTION	DATE	APPROVED
A	Initial Release	03-06-2026	KM
B	Nose material changed from brass to 316 stainless steel	03-12-2026	KM



10100 PROGRESS WAY HARRISON, OH 45030

SIZE	DESCRIPTION	REV
D	Connect Assembly, CTS, CI33-AD-E4.0	B
PART NUMBER	CTSC-001692	
DATE	DRAWN BY	CHECKED BY
7/19/05	KM	KM
SHEET		1 OF 1

FILE LOCATION: C:\PDM\PDM\R&D Product Development\CTS Connects\CI\Connect Assembly\Standard\CI33\4in Stem Extension\CTSC-001692