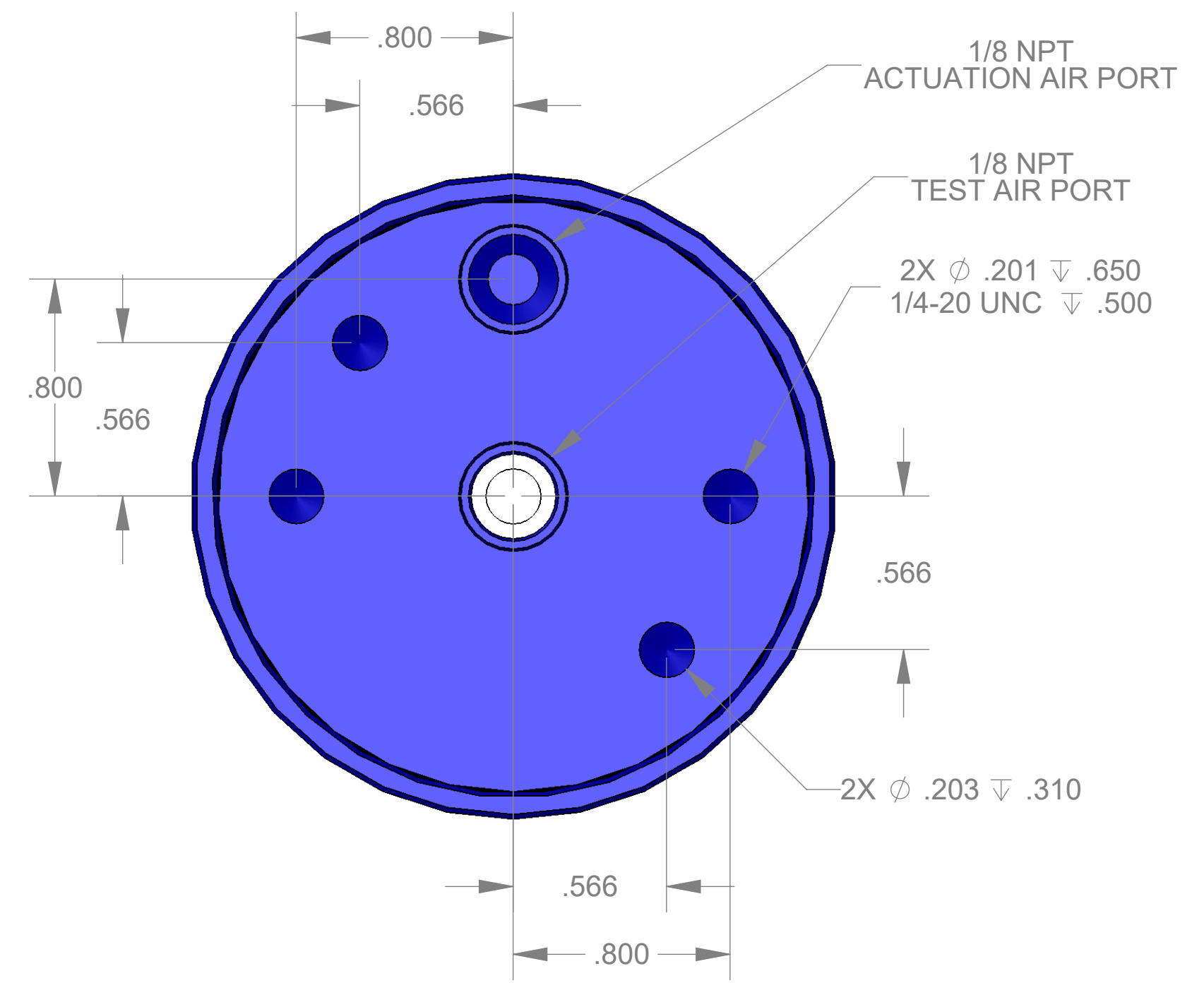
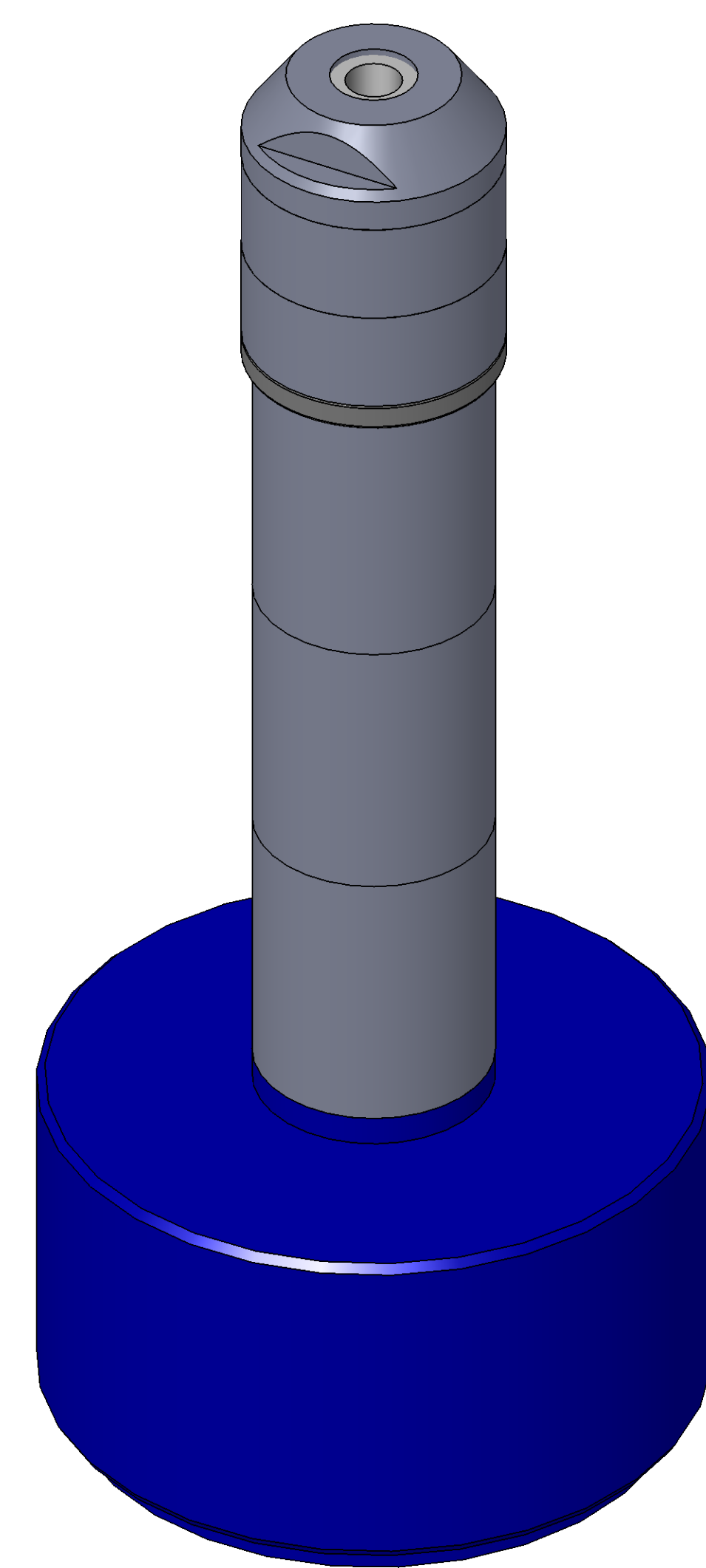


ITEM NO.	PART NUMBER	DESCRIPTION	QTY.
10	MACH-004183	Body, CTS, CI33	1
20	MACH-004250	Cap, CTS, CI33	1
30	MACH-054213	Stem, CTS, CI33-E3.0	1
40	MACH-004585	Spacer, CTS, CI33	1
50	SEAL-005437	CI33-ORING 113	1
60	SEAL-005441	CI33-ORING 225	1
70	MACH-004319	Nose, CTS, CI33-AC	1
80	SEAL-004859	Seal, CTS, CI33-AC-M	2
90	MACH-004445	Washer, CTS, CI33-AC	1
100	MACH-004586	Spacer Extension, CTS, CI33	3



SECTION A-A

REVISIONS			
REV.	DESCRIPTION	DATE	APPROVED
A	Initial Release	03-13-2026	KM
B	Changed material of nose and seal	03-16-2026	KM



SIZE	D	DESCRIPTION	Connect Assembly, CTS, CI33-AC-E3.0-M
PART NUMBER	CTSC-001682		REV B
DATE	DRAWN BY	KM	CHECKED BY KM SHEET 1 OF 1

FILE LOCATION: C:\PDM\PDM\R&D\Product Development\CTS Connects\CI\Connect Assembly\Medical\CI33-M\3in Stem Extension\CTSC-001682

Monday, March 16, 2026