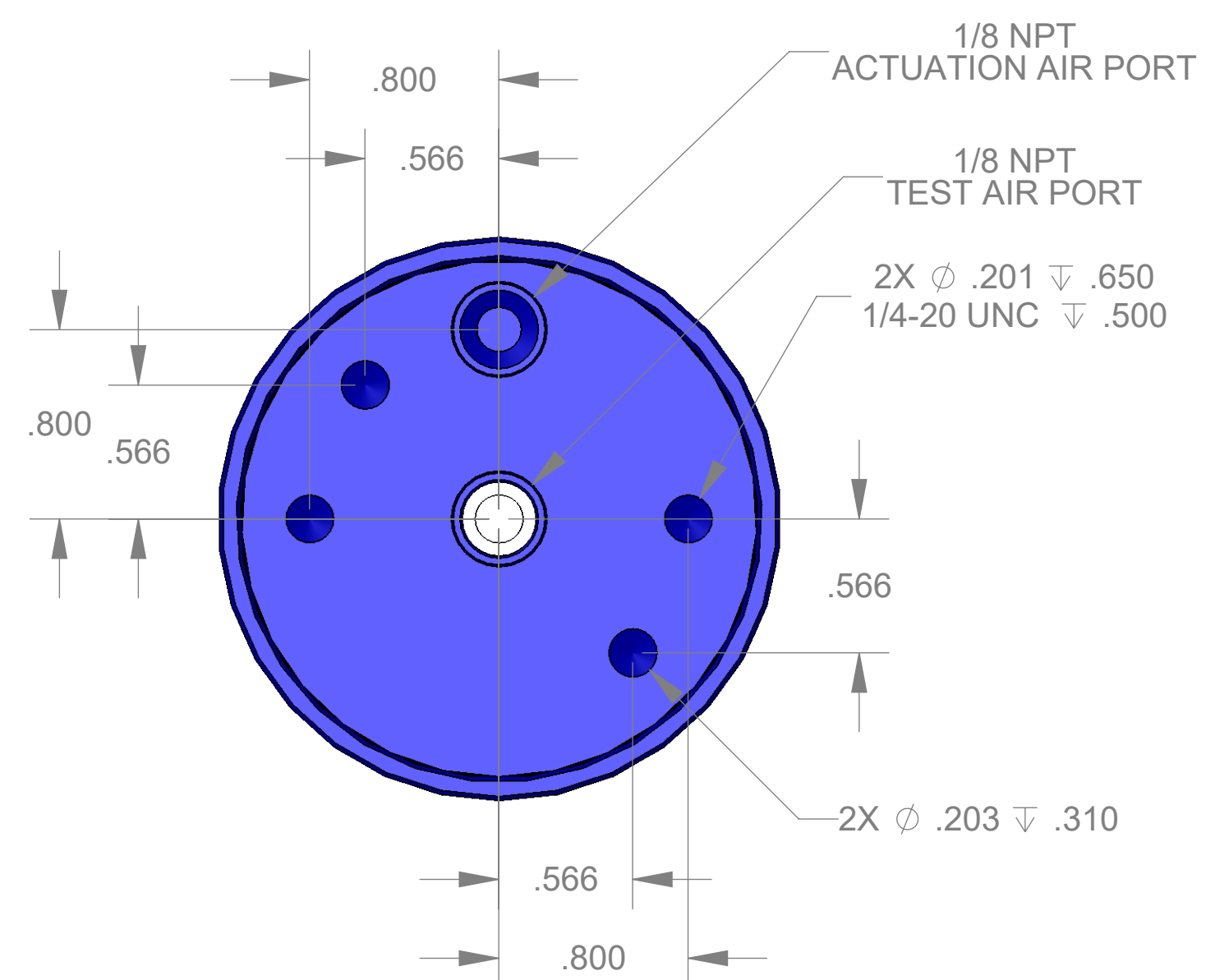
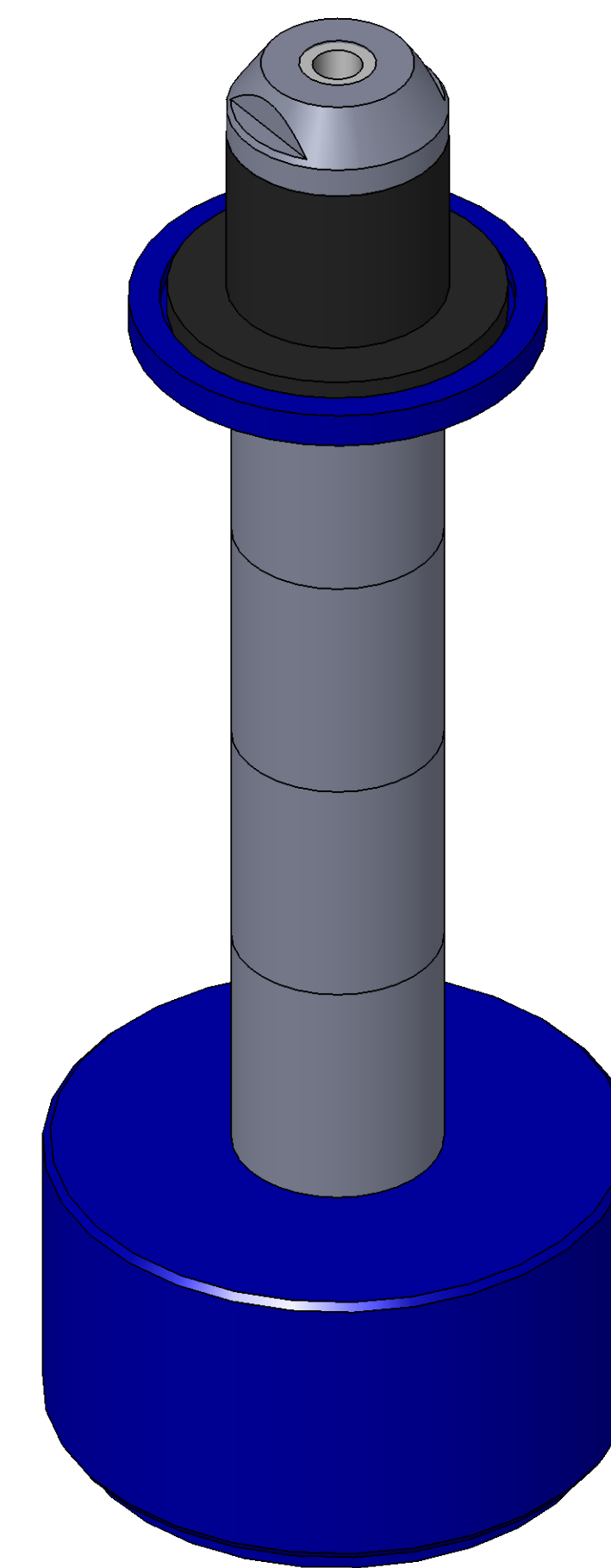


SECTION A-A
SCALE 3 : 2



ITEM NO.	PART NUMBER	DESCRIPTION	QTY.
10	MACH-004183	Body, CTS, CI33	1
20	MACH-004250	Cap, CTS, CI33	1
30	MACH-054214	Stem, CTS, CI33-E4.0	1
40	SEAL-005437	CI33-ORING 113	1
50	SEAL-005441	CI33-ORING 225	1
60	MACH-004318	Nose, CTS, CI33-AB	1
70	SEAL-004854	Seal, CTS, CI33-AB	1
80	MACH-004237	Seal Holder, CTS, CI33-AB	1
90	MACH-004586	Spacer Extension, CTS, CI33	4



REVISIONS			
REV.	DESCRIPTION	DATE	APPROVED
A	Initial Release	03-06-2026	KM
B	Nose material changed from brass to 316 stainless steel	04-06-2026	KM



SIZE	DESCRIPTION	REV
D	Connect Assembly, CTS, CI33-AB-E4.0	B
PART NUMBER	CTSC-001664	
DATE	7/19/05	DRAWN BY: KM CHECKED BY: KM SHEET 1 OF 1

FILE LOCATION: C:\PDM\PDM\R&D Product Development\CTS Connects\CI\Connect Assembly\Standard\CI33\4in Stem Extension\CTSC-001664

Monday, April 6, 2026