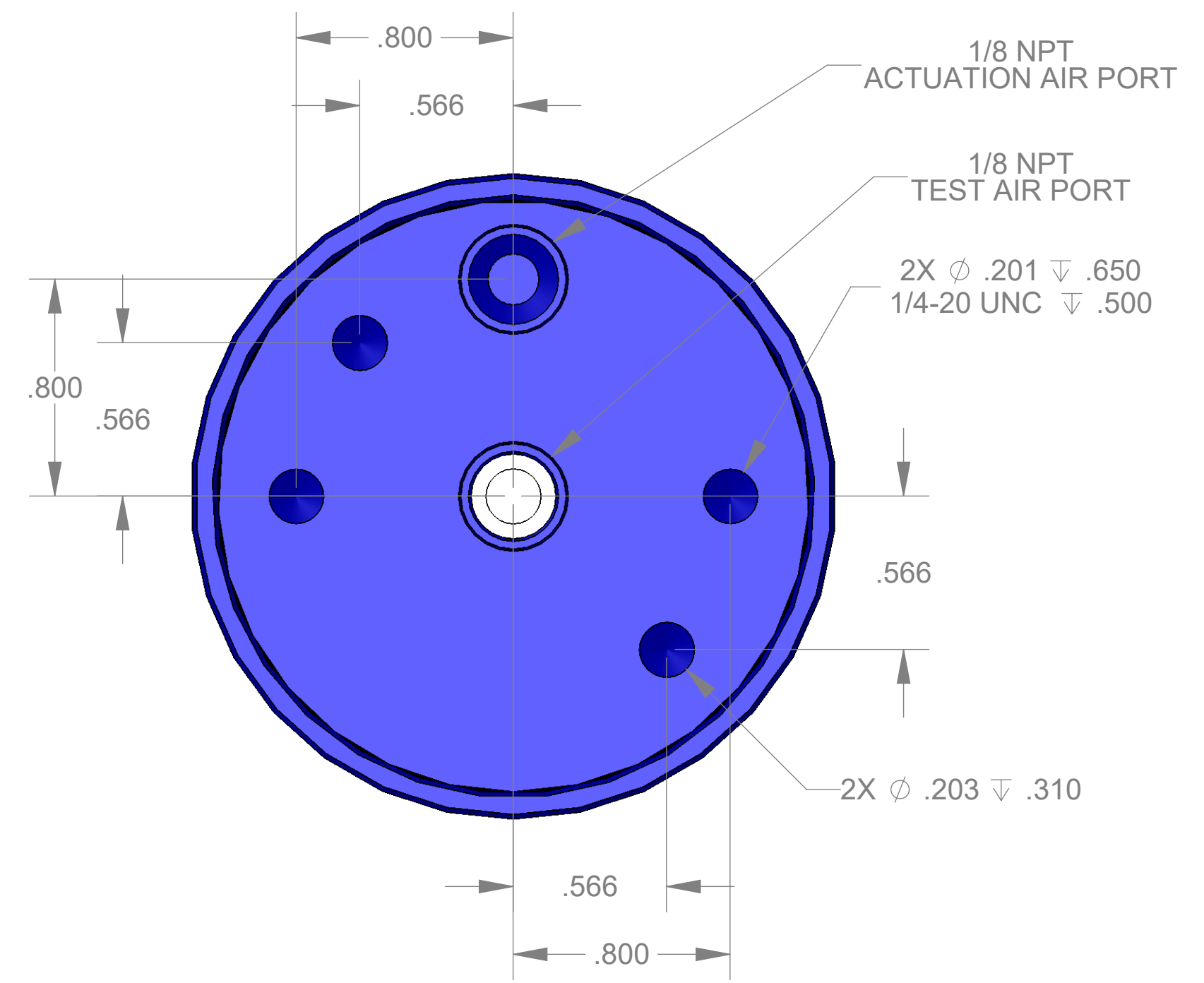
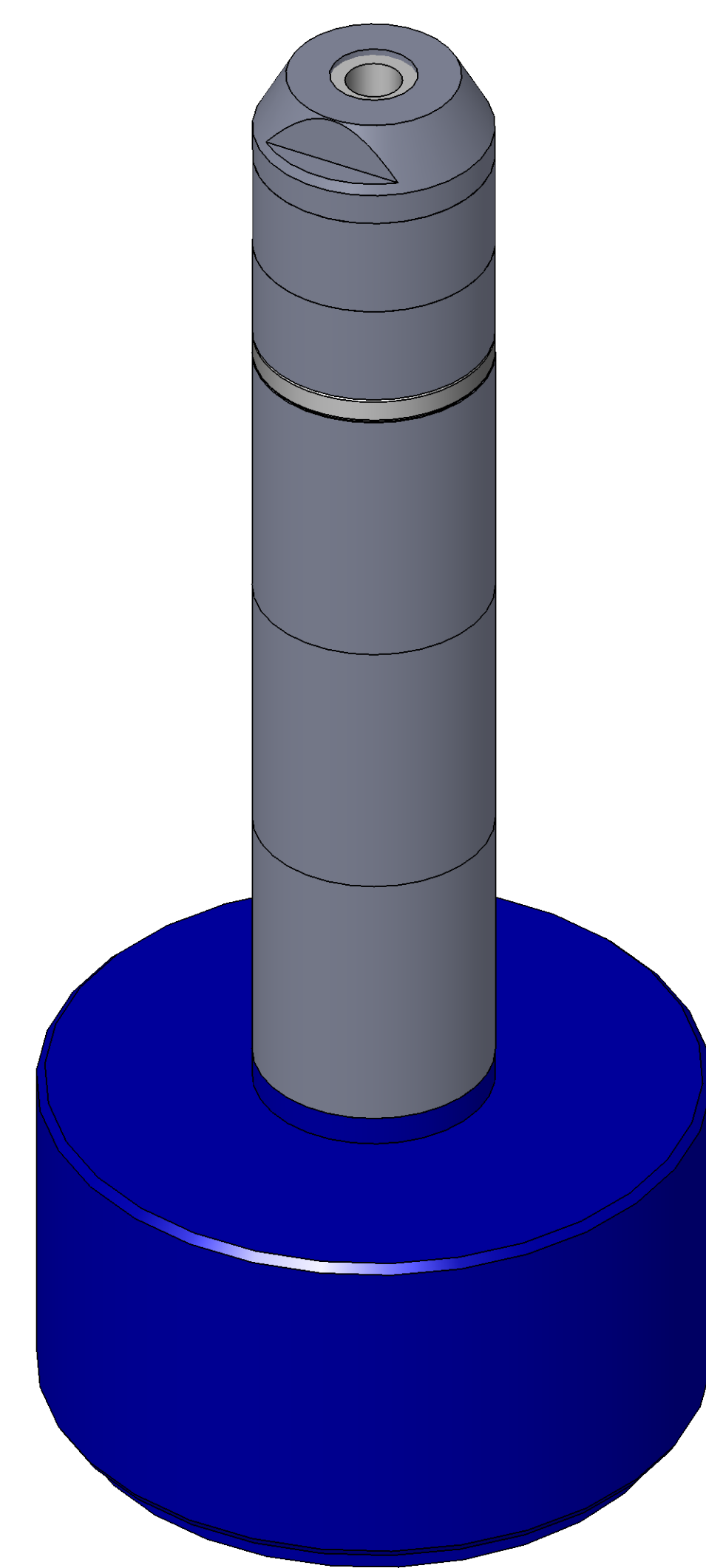


SECTION A-A



ITEM NO.	PART NUMBER	DESCRIPTION	QTY.
10	MACH-004183	Body, CTS, CI33	1
20	MACH-004250	Cap, CTS, CI33	1
30	MACH-054213	Stem, CTS, CI33-E3.0	1
40	MACH-004585	Spacer, CTS, CI33	1
50	SEAL-005437	CI33-ORING 113	1
60	SEAL-005441	CI33-ORING 225	1
70	MACH-004316	Nose, CTS, CI33-AA	1
80	SEAL-004850	Seal, CTS, CI33-AA-M	2
90	MACH-004444	Washer, CTS, CI33-AA	1
100	MACH-004586	Spacer Extension, CTS, CI33	3



REVISIONS			
REV.	DESCRIPTION	DATE	APPROVED
A	Initial Release	01-30-2026	KM
B	Changed material of nose and seal	03-16-2026	KM



SIZE	D	DESCRIPTION	Connect Assembly, CTS, CI33-AA-E3.0-M
PART NUMBER	CTSC-001654		REV B
DATE	DRAWN BY: KM	CHECKED BY: KM	SHEET 1 OF 1

FILE LOCATION: C:\PDM\PDM\R&D\Product Development\CTS Connects\CI\Connect Assembly\Medical\CI33-M\3in Stem Extension\CTSC-001654

Monday, March 16, 2026