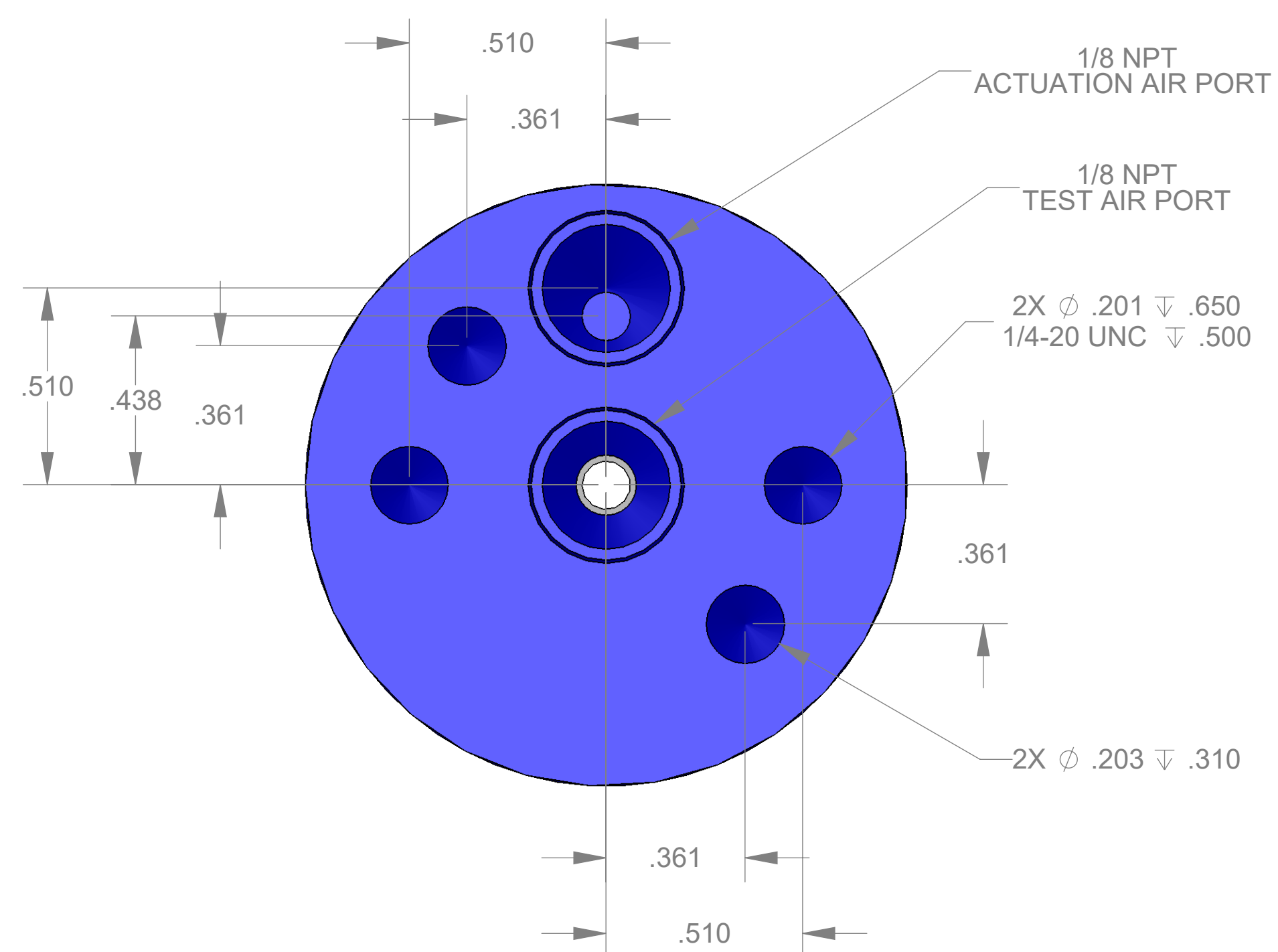


SECTION A-A
SCALE 3 : 1

ITEM NO.	PART NUMBER	DESCRIPTION	QTY.
10	MACH-004182	Body, CTS, CI32	1
20	MACH-004249	Cap, CTS, CI32	1
30	MACH-054207	Stem, CTS, CI32-E1.0	1
40	SEAL-005436	CI31-ORING 109	1
50	SEAL-005438	CI31-ORING 216	1
60	MACH-004309	Nose, CTS, CI32-AE	1
70	SEAL-004831	Seal, CTS, CI32-AE-M	1
80	MACH-004438	Washer, CTS, CI32-AE	1
90	MACH-004580	Spacer Extension, CTS, CI32	1
100	MACH-004579	Spacer, CTS, CI32	1



REVISIONS			
REV.	DESCRIPTION	DATE	APPROVED
A	Initial Release	03-13-2026	KM
B	Changed material of nose and seal	03-16-2026	KM



SIZE	DESCRIPTION
D	Connect Assembly, CTS, CI32-AE-E1.0-M
PART NUMBER	REV
CTSC-001633	B
DATE	DRAWN BY: KM CHECKED BY: KM SHEET 1 OF 1

FILE LOCATION: C:\PDM\PDM\R&D\Product Development\CTS Connects\C\Connect Assembly\Medical\CI32-M\1in Stem Extension\CTSC-001633

Monday, March 16, 2026