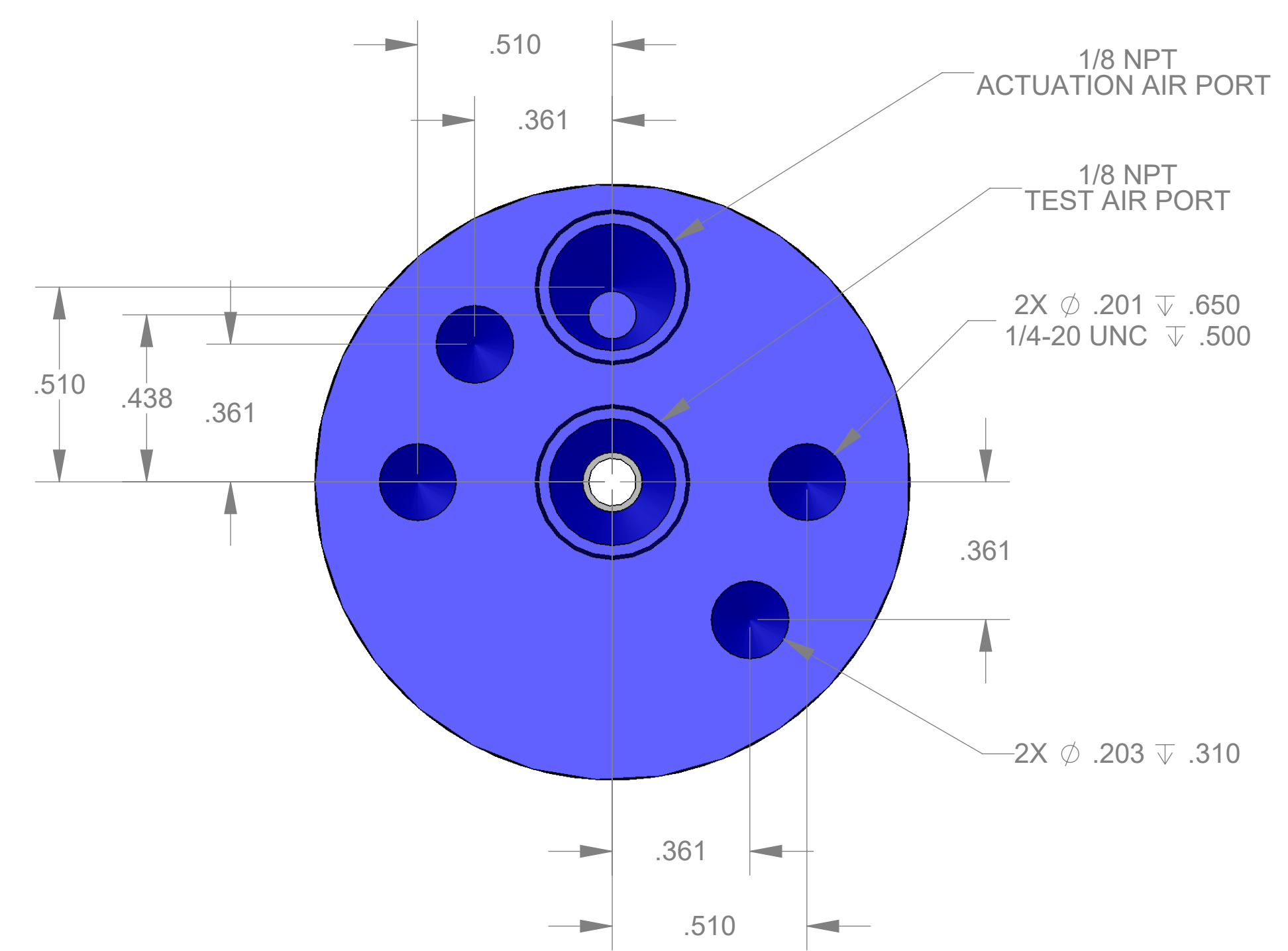


SECTION A-A
SCALE 3 : 1

ITEM NO.	PART NUMBER	DESCRIPTION	QTY.
10	MACH-004182	Body, CTS, CI32	1
20	MACH-004249	Cap, CTS, CI32	1
30	MACH-054207	Stem, CTS, CI32-E1.0	1
40	SEAL-005436	CI31-ORING 109	1
50	SEAL-005438	CI31-ORING 216	1
60	MACH-004309	Nose, CTS, CI32-AE	1
70	SEAL-004828	Seal, CTS, CI32-AE	1
80	MACH-004438	Washer, CTS, CI32-AE	1
90	MACH-004580	Spacer Extension, CTS, CI32	1
100	MACH-004579	Spacer, CTS, CI32	1



REVISIONS			
REV.	DESCRIPTION	DATE	APPROVED
A	Initial Release	02-16-2026	KM
B	Nose material changed from brass to 316 stainless steel	03-12-2026	KM



SIZE	DESCRIPTION			
D	Connect Assembly, CTS, CI32-AE-E1.0			
PART NUMBER	REV			
CTSC-001628	B			
DATE	DRAWN BY	CHECKED BY	SHEET	OF
5/13/05	KM	KM	1	1

FILE LOCATION: C:\PDM\PDM\R&D\Product Development\CTS Connects\CI\Connect Assembly\Standard\CI32\1in Stem Extension\CTSC-001628

Thursday, March 12, 2026