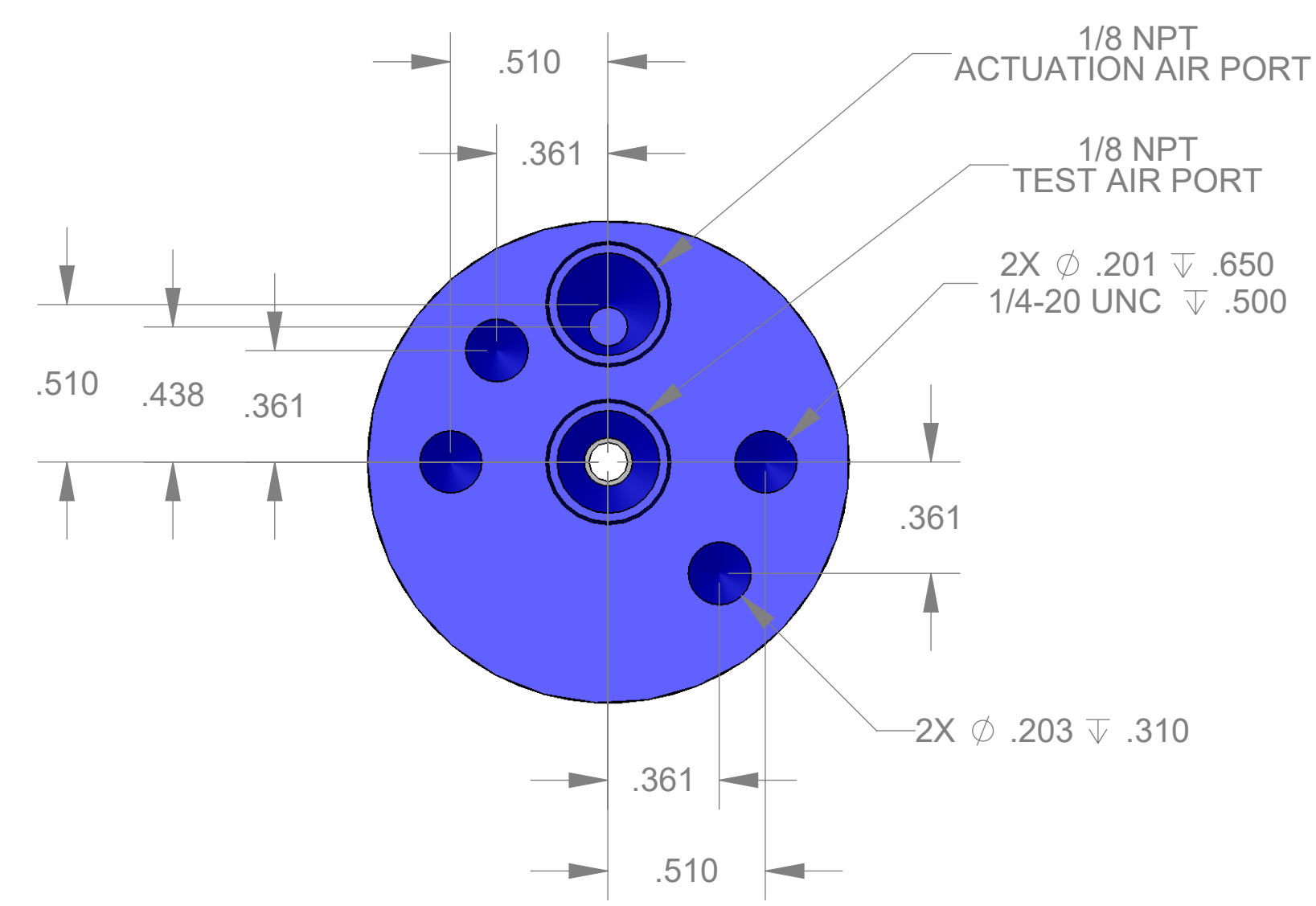
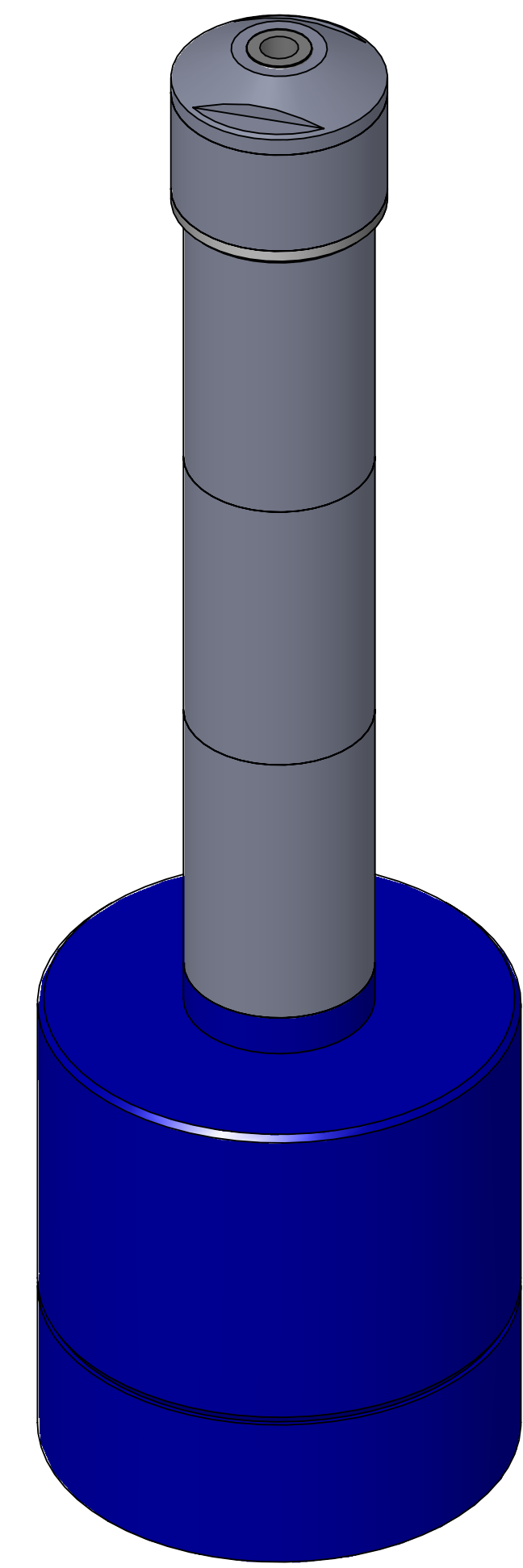


ITEM NO.	PART NUMBER	DESCRIPTION	QTY.
10	MACH-004182	Body, CTS, CI32	1
20	MACH-004249	Cap, CTS, CI32	1
30	MACH-054209	Stem, CTS, CI32-E3.0	1
40	SEAL-005436	CI31-ORING 109	1
50	SEAL-005438	CI31-ORING 216	1
60	MACH-004308	Nose, CTS, CI32-AD	1
70	SEAL-004824	Seal, CTS, CI32-AD-M	1
80	MACH-004437	Washer, CTS, CI32-AD	1
90	MACH-004580	Spacer Extension, CTS, CI32	3
100	MACH-004579	Spacer, CTS, CI32	1



SECTION A-A

REVISIONS			
REV.	DESCRIPTION	DATE	APPROVED
A	Initial Release	03-13-2026	KM
B	Changed material of nose and seal	03-16-2026	KM



SIZE	D	DESCRIPTION	Connect Assembly, CTS, CI32-AD-E3.0-M
PART NUMBER	CTSC-001621		REV B
DATE	DRAWN BY	CHECKED BY	SHEET 1 OF 1

FILE LOCATION: C:\PDM\PDM\R&D\Product Development\CTS Connects\CI\Connect Assembly\Medical\CI32-M\3in Stem Extension\CTSC-001621

Monday, March 16, 2026