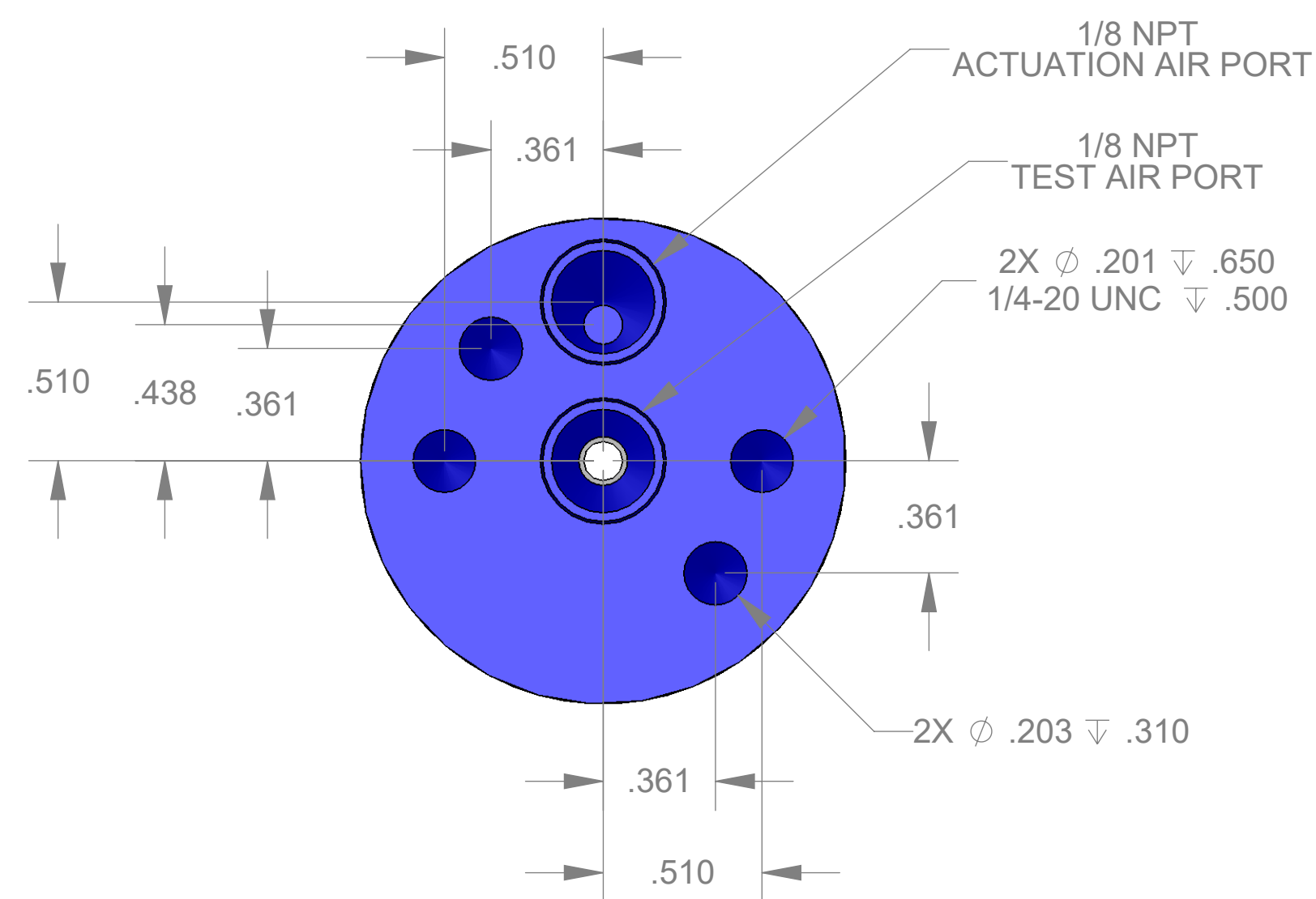
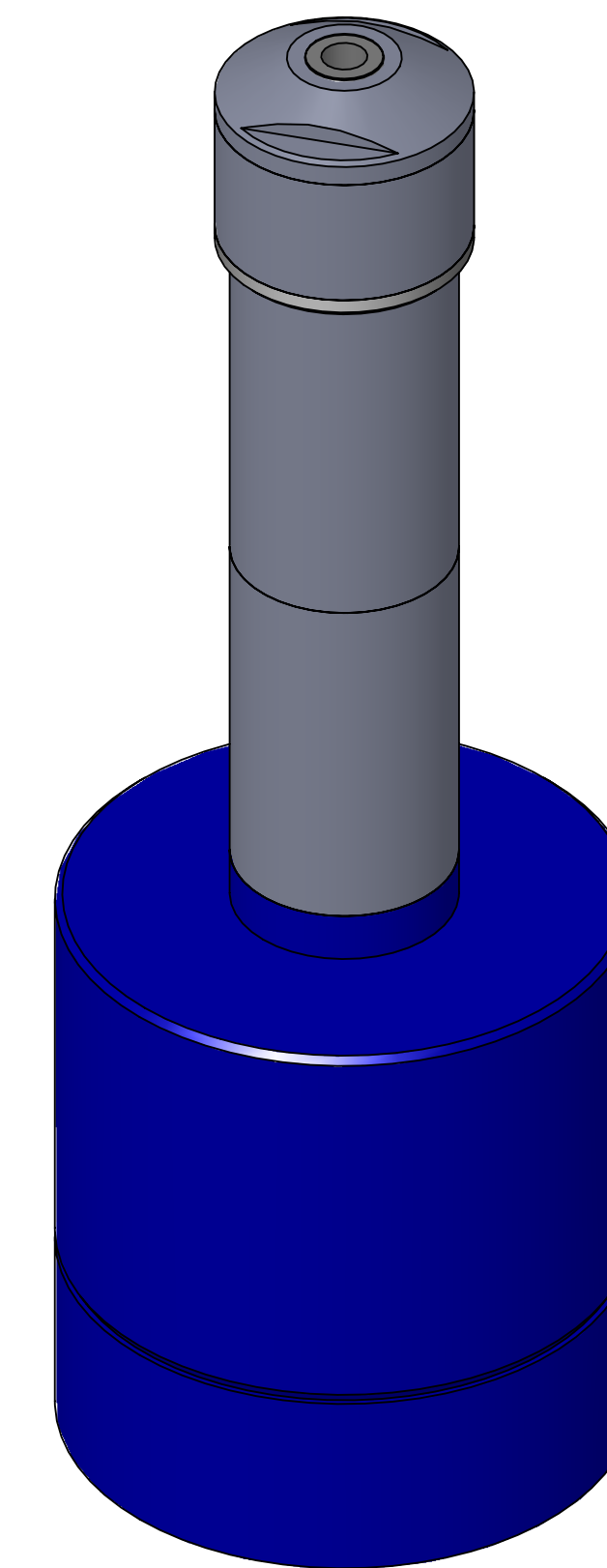


SECTION A-A

| ITEM NO. | PART NUMBER | DESCRIPTION | QTY. |
|----------|-------------|-----------------------------|------|
| 10 | MACH-004182 | Body, CTS, CI32 | 1 |
| 20 | MACH-004249 | Cap, CTS, CI32 | 1 |
| 30 | MACH-054208 | Stem, CTS, CI32-E2.0 | 1 |
| 40 | SEAL-005436 | CI31-ORING 109 | 1 |
| 50 | SEAL-005438 | CI31-ORING 216 | 1 |
| 60 | MACH-004308 | Nose, CTS, CI32-AD | 1 |
| 70 | SEAL-004824 | Seal, CTS, CI32-AD-M | 1 |
| 80 | MACH-004437 | Washer, CTS, CI32-AD | 1 |
| 90 | MACH-004580 | Spacer Extension, CTS, CI32 | 2 |
| 100 | MACH-004579 | Spacer, CTS, CI32 | 1 |



| REVISIONS | | | |
|-----------|-----------------------------------|------------|----------|
| REV. | DESCRIPTION | DATE | APPROVED |
| A | Initial Release | 03-13-2026 | KM |
| B | Changed material of nose and seal | 03-16-2026 | KM |



| | | |
|-------------|---------------------------------------|----------------|
| SIZE | DESCRIPTION | REV |
| D | Connect Assembly, CTS, CI32-AD-E2.0-M | B |
| PART NUMBER | | REV |
| CTSC-001620 | | B |
| DATE | DRAWN BY: KM | CHECKED BY: KM |
| | | SHEET 1 OF 1 |