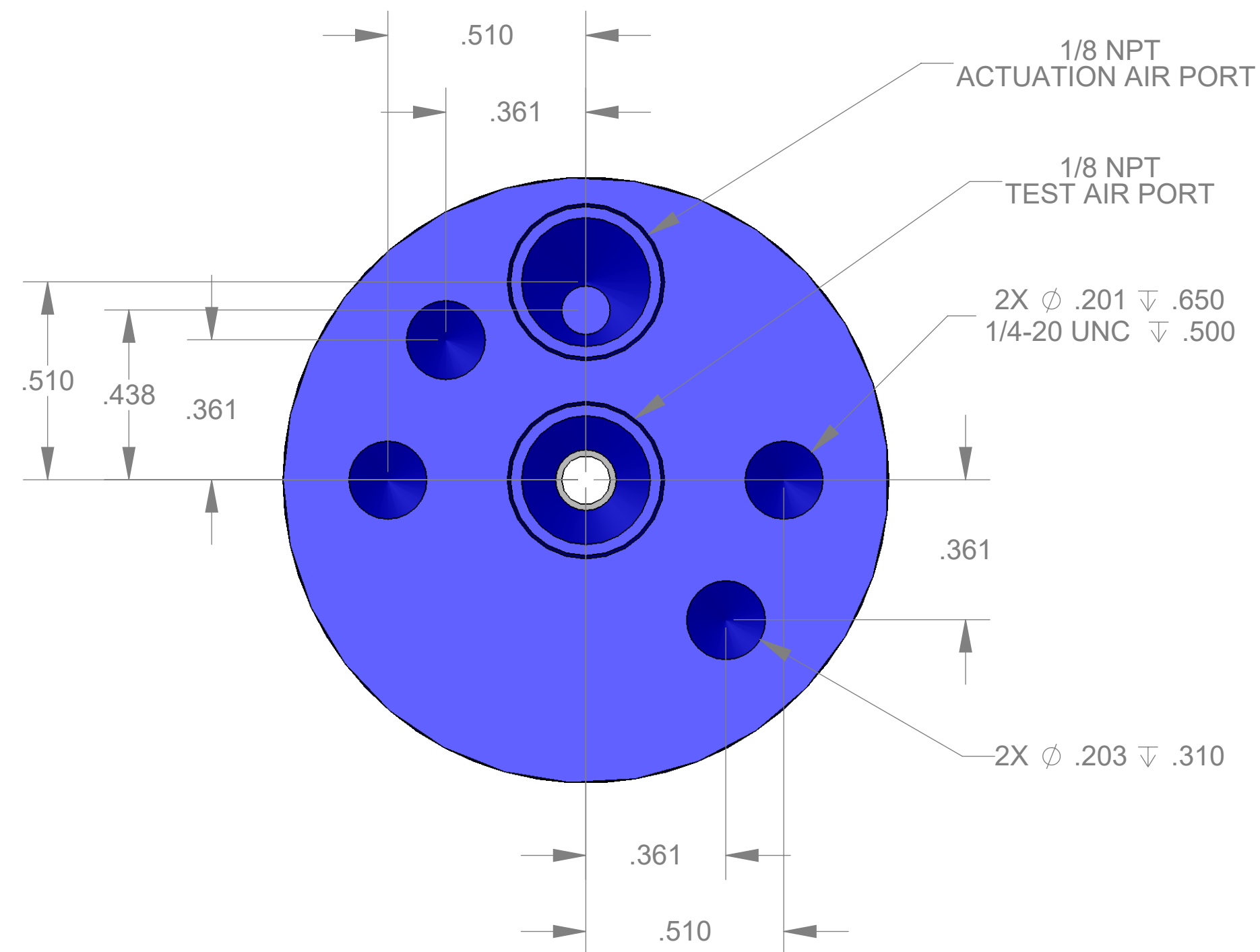
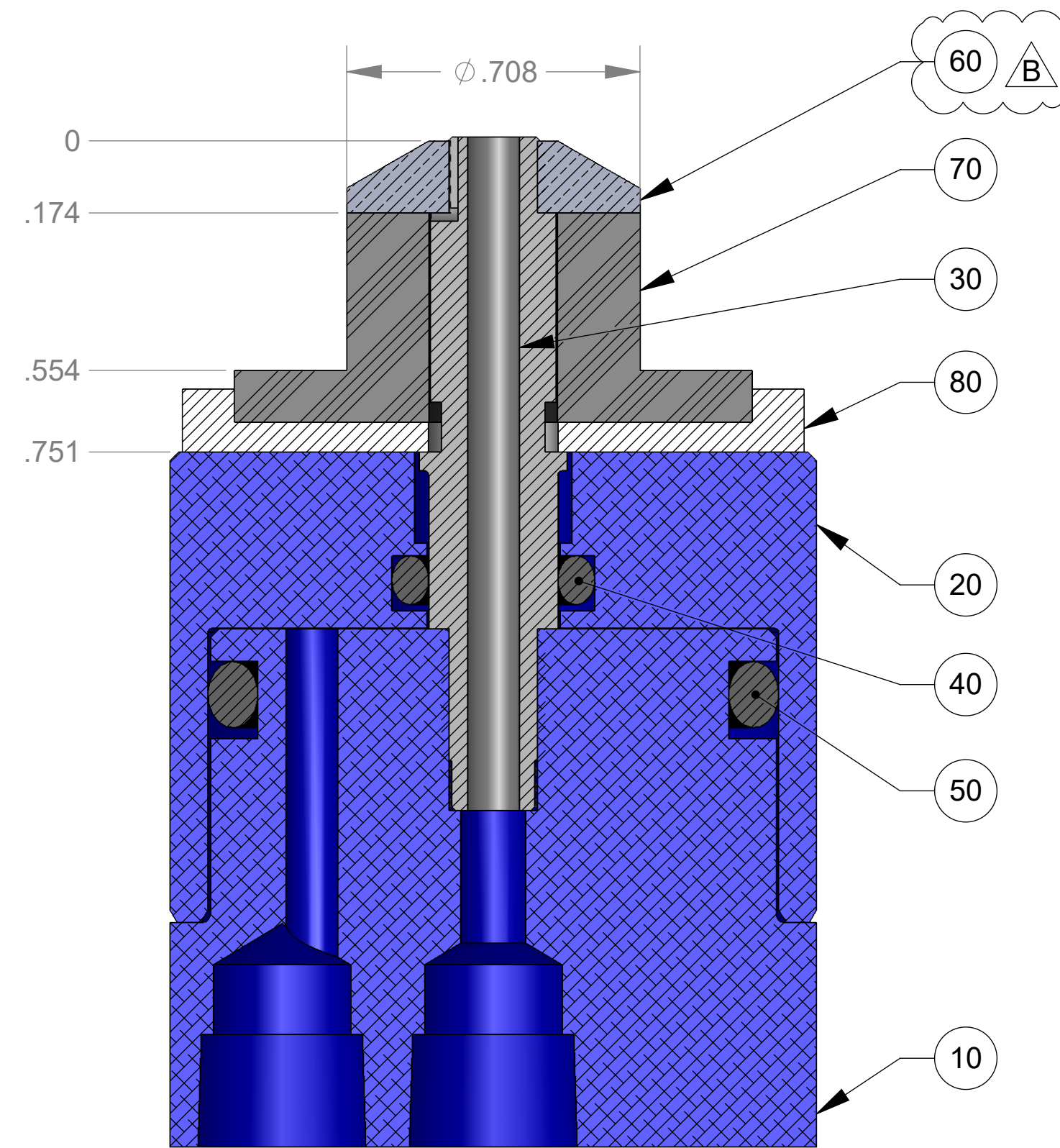
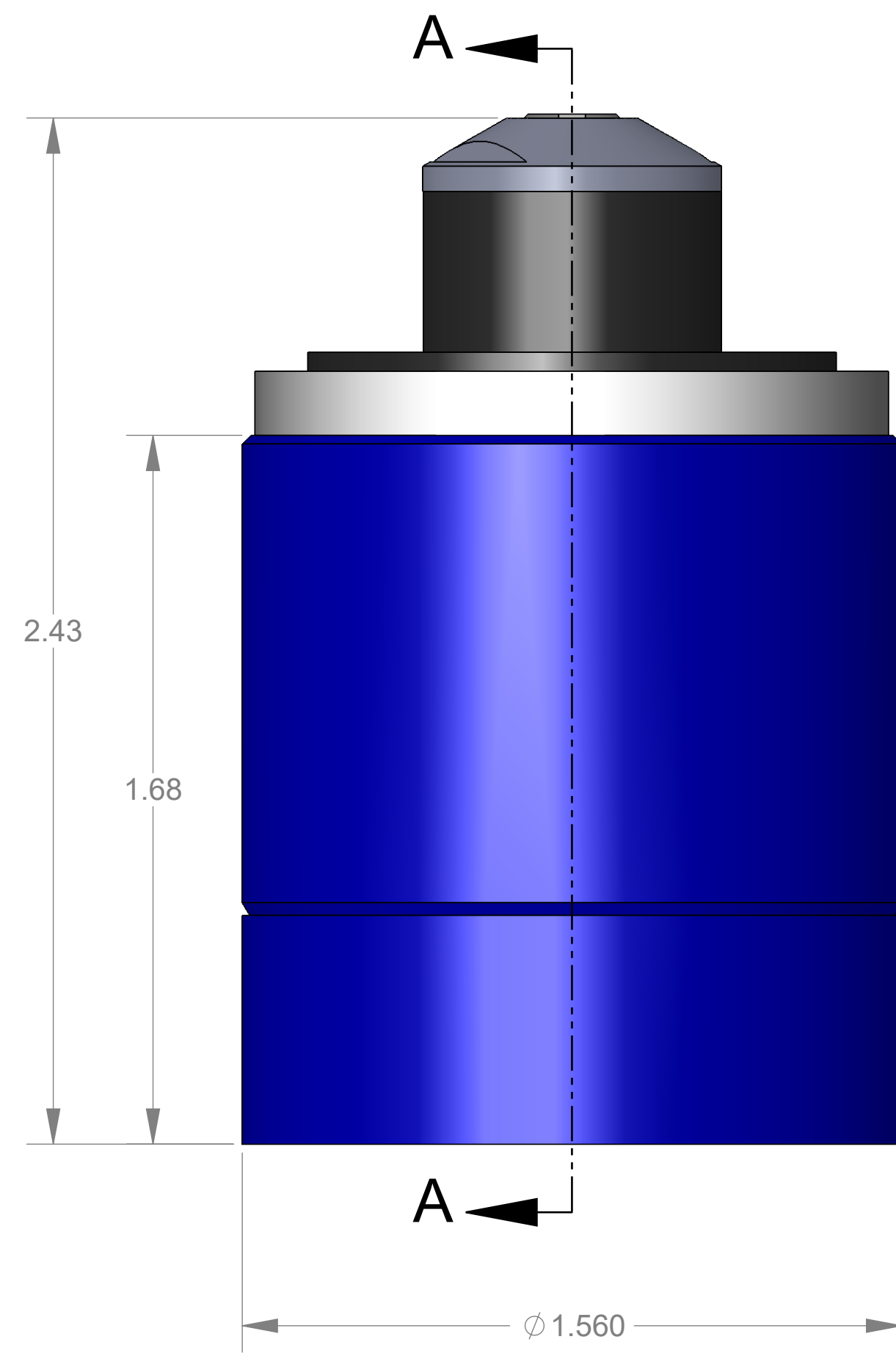


ITEM NO.	PART NUMBER	DESCRIPTION	QTY.
10	MACH-004182	Body, CTS, CI32	1
20	MACH-004249	Cap, CTS, CI32	1
30	MACH-004623	Stem, CTS, CI32	1
40	SEAL-005436	CI31-ORING 109	1
50	SEAL-005438	CI31-ORING 216	1
60	MACH-004307	Nose, CTS, CI32-AC	1
70	SEAL-004818	Seal, CTS, CI32-AC	1
80	MACH-004233	Seal Holder, CTS, CI32-AC	1



REVISIONS			
REV.	DESCRIPTION	DATE	APPROVED
A	Initial Release	05-13-2005	DAS
B	Nose material changed from brass to 316 stainless steel	12-15-2025	KM



SIZE	DESCRIPTION	REV
D	Connect Assembly, CTS, CI32-AC	B
PART NUMBER		REV
CTSC-001599		B
DATE	DRAWN BY	CHECKED BY
5/13/05		KM
SHEET		OF
1		1

FILE LOCATION: C:\PDM\PDM\R&D Product Development\CTS Connects\CI\Connect Assembly\CI32\CTSC-001599

Monday, December 15, 2025