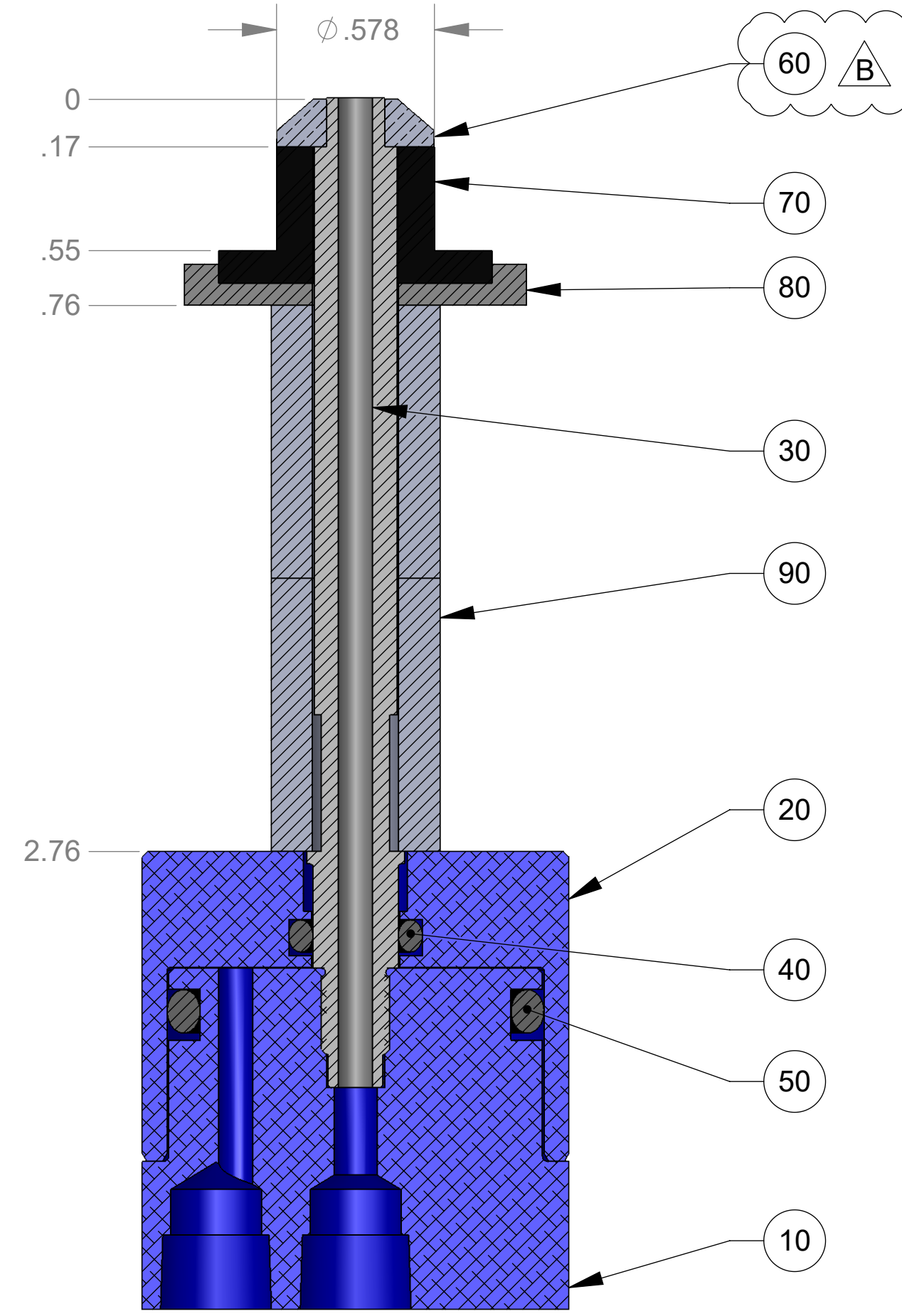
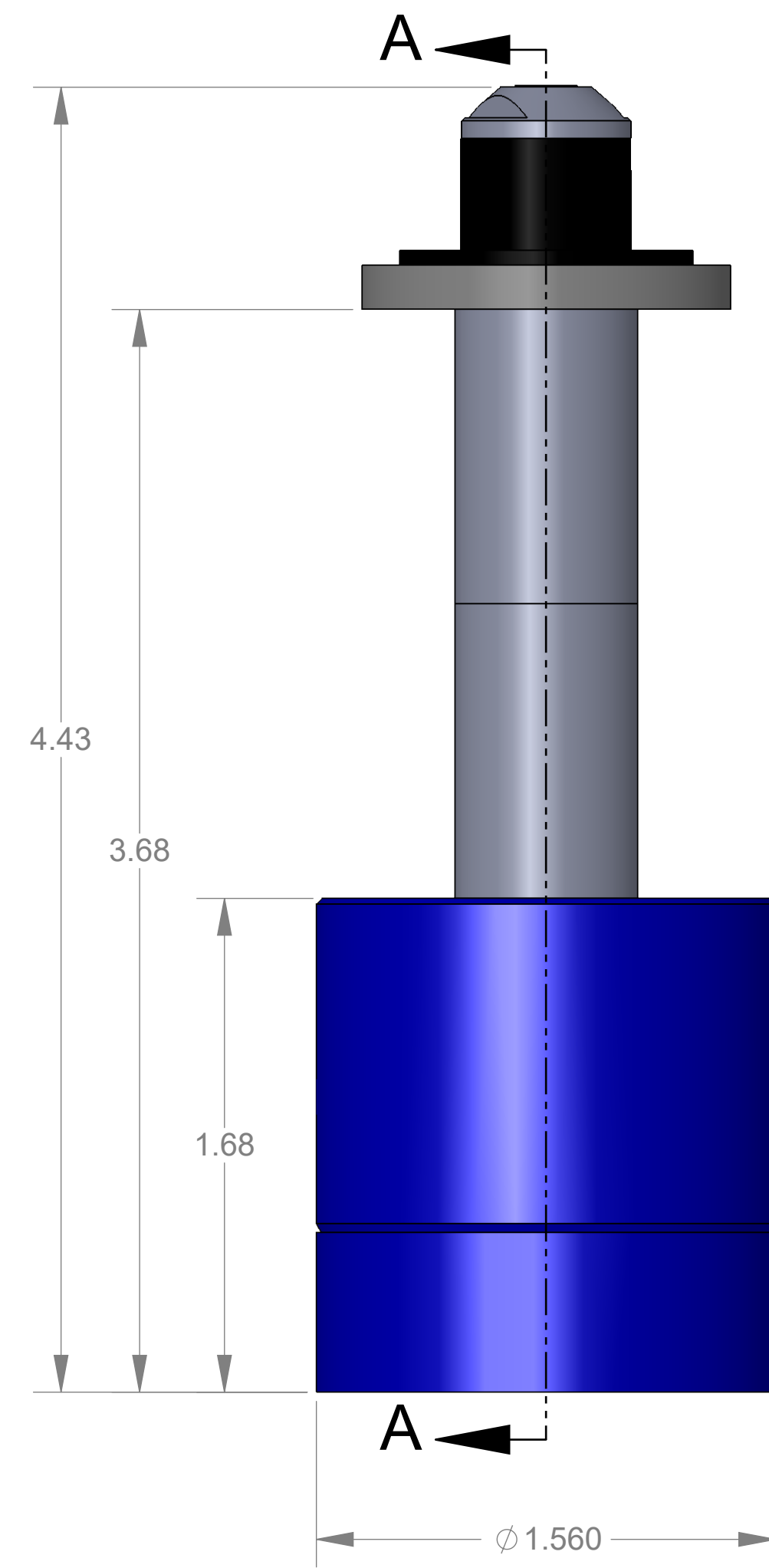
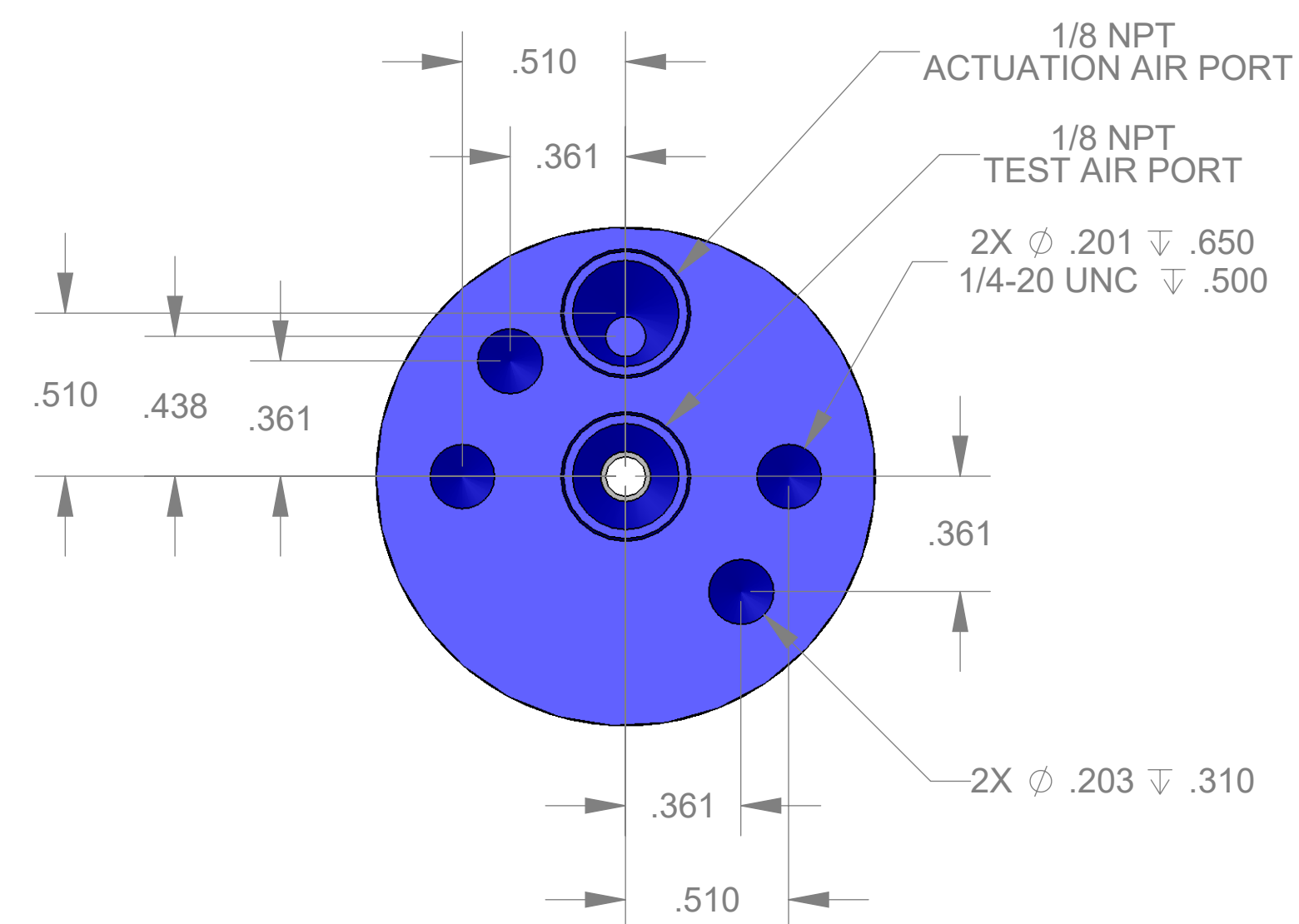
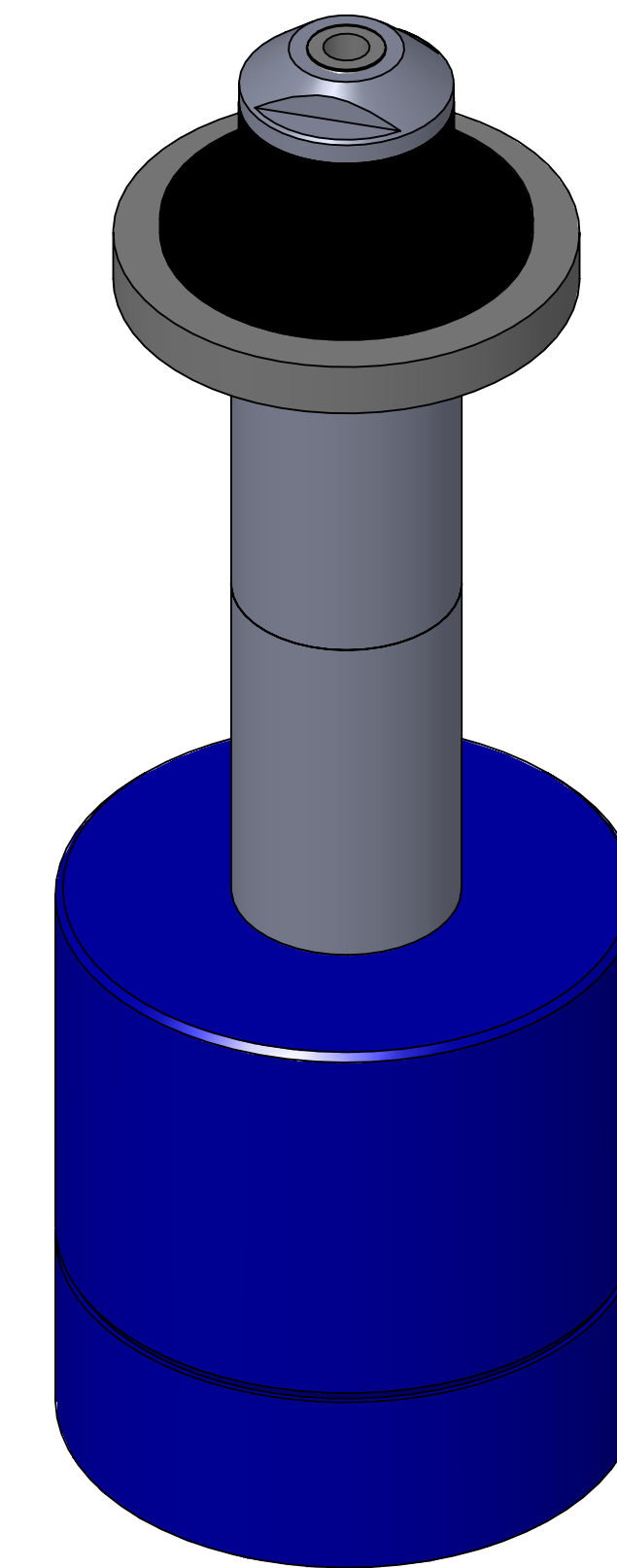


| ITEM NO. | PART NUMBER | DESCRIPTION | QTY. |
|----------|-------------|-----------------------------|------|
| 10 | MACH-004182 | Body, CTS, CI32 | 1 |
| 20 | MACH-004249 | Cap, CTS, CI32 | 1 |
| 30 | MACH-054208 | Stem, CTS, CI32-E2.0 | 1 |
| 40 | SEAL-005436 | CI31-ORING 109 | 1 |
| 50 | SEAL-005438 | CI31-ORING 216 | 1 |
| 60 | MACH-004304 | Nose, CTS, CI32-AA | 1 |
| 70 | SEAL-004805 | Seal, CTS, CI32-AA | 1 |
| 80 | MACH-004232 | Seal Holder, CTS, CI32-AA | 1 |
| 90 | MACH-004580 | Spacer Extension, CTS, CI32 | 2 |



SECTION A-A



| REVISIONS | | | |
|-----------|---|------------|----------|
| REV. | DESCRIPTION | DATE | APPROVED |
| A | Initial Release | 01-21-2026 | KM |
| B | Nose material changed from brass to 316 stainless steel | 04-06-2026 | KM |



10100 PROGRESS WAY HARRISON, OH 45030

| | | |
|-------------|-------------------------------------|------------|
| SIZE | DESCRIPTION | REV |
| D | Connect Assembly, CTS, CI32-AA-E2.0 | B |
| PART NUMBER | | REV |
| CTSC-001573 | | B |
| DATE | DRAWN BY | CHECKED BY |
| 5/13/05 | KM | KM |
| SHEET | | OF |
| 1 | | 1 |

FILE LOCATION: C:\PDM\PDM\R&D Product Development\CTS Connects\CI\Connect Assembly\Standard\CI32\2in Stem Extension\CTSC-001573