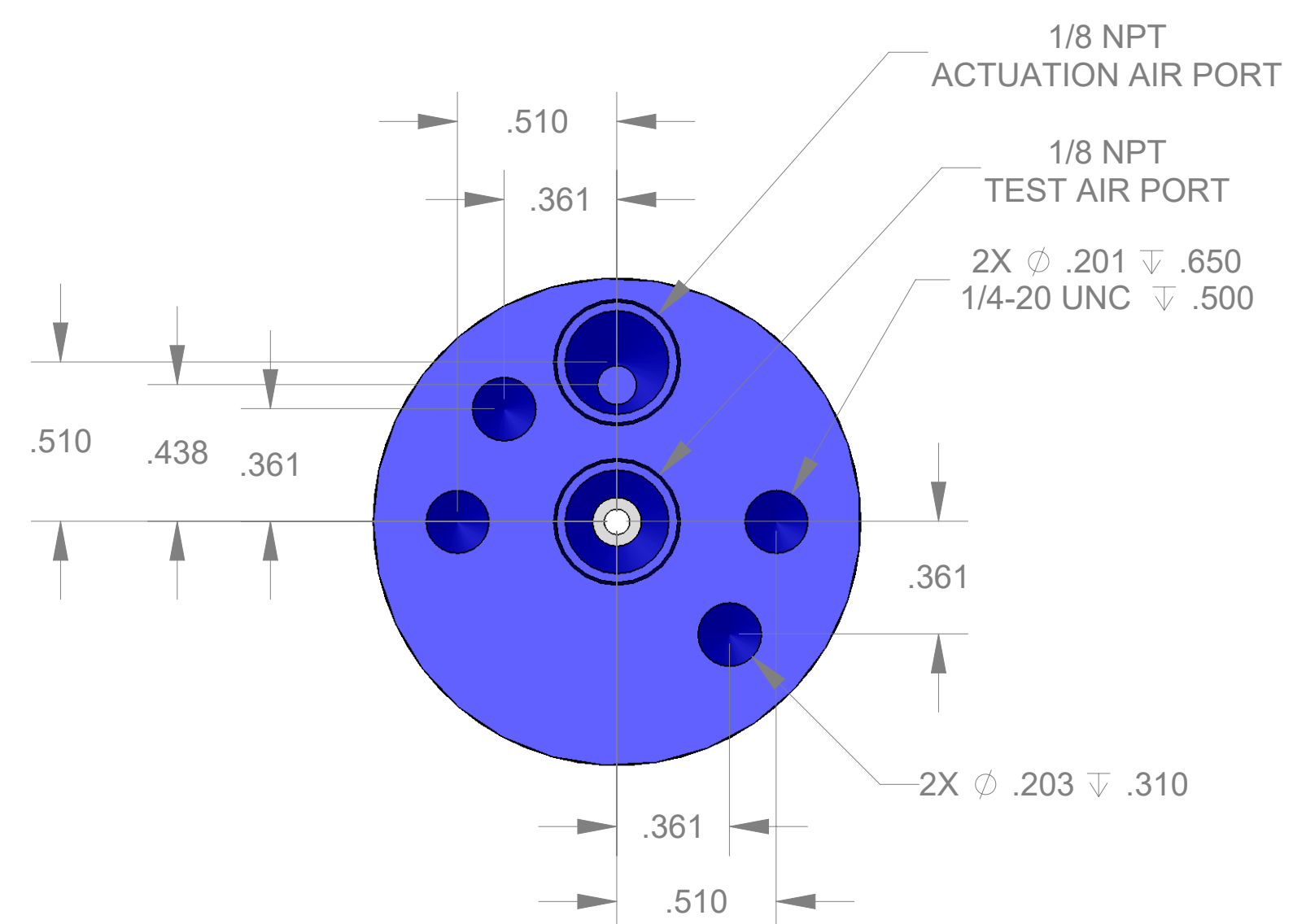
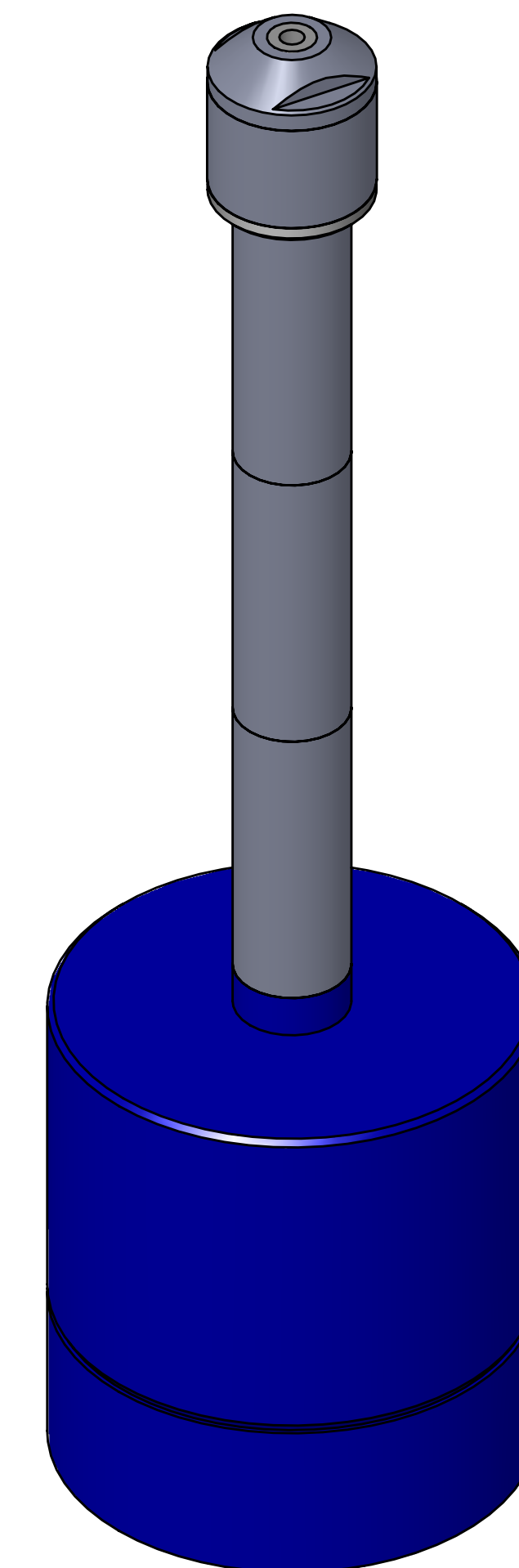


SECTION A-A



ITEM NO.	PART NUMBER	DESCRIPTION	QTY.
10	MACH-004181	BODY, CTS, CI31	1
20	MACH-004248	Cap, CTS, CI31	1
30	MACH-054205	Stem, CTS, CI31-E3.0	1
40	MACH-004577	Spacer, CTS, CI31	1
50	SEAL-005436	CI31-ORING 109	1
60	SEAL-005438	CI31-ORING 216	1
70	MACH-004295	Nose, CTS, CI31-AD	1
80	SEAL-004779	Seal, CTS, CI31-AD-M	1
90	MACH-004429	Washer, CTS, CI31-AD	1
100	MACH-004578	Spacer Extension, CTS, CI31	3



REVISIONS			
REV.	DESCRIPTION	DATE	APPROVED
A	Initial Release	03-13-2026	KM
B	Changed material of nose and seal	03-16-2026	KM



10100 PROGRESS WAY HARRISON, OH 45030

SIZE	DESCRIPTION	REV
D	Connect Assembly, CTS, CI31-AD-E3.0-M	B
PART NUMBER	CTSC-001560	
DATE	DRAWN BY: KM	CHECKED BY: KM
	SHEET 1	OF 1

FILE LOCATION: C:\PDM\PDM\R&D\Product Development\CTS Connects\C1\Connect Assembly\Medical\CI31-M\3in Stem Extension\CTSC-001560