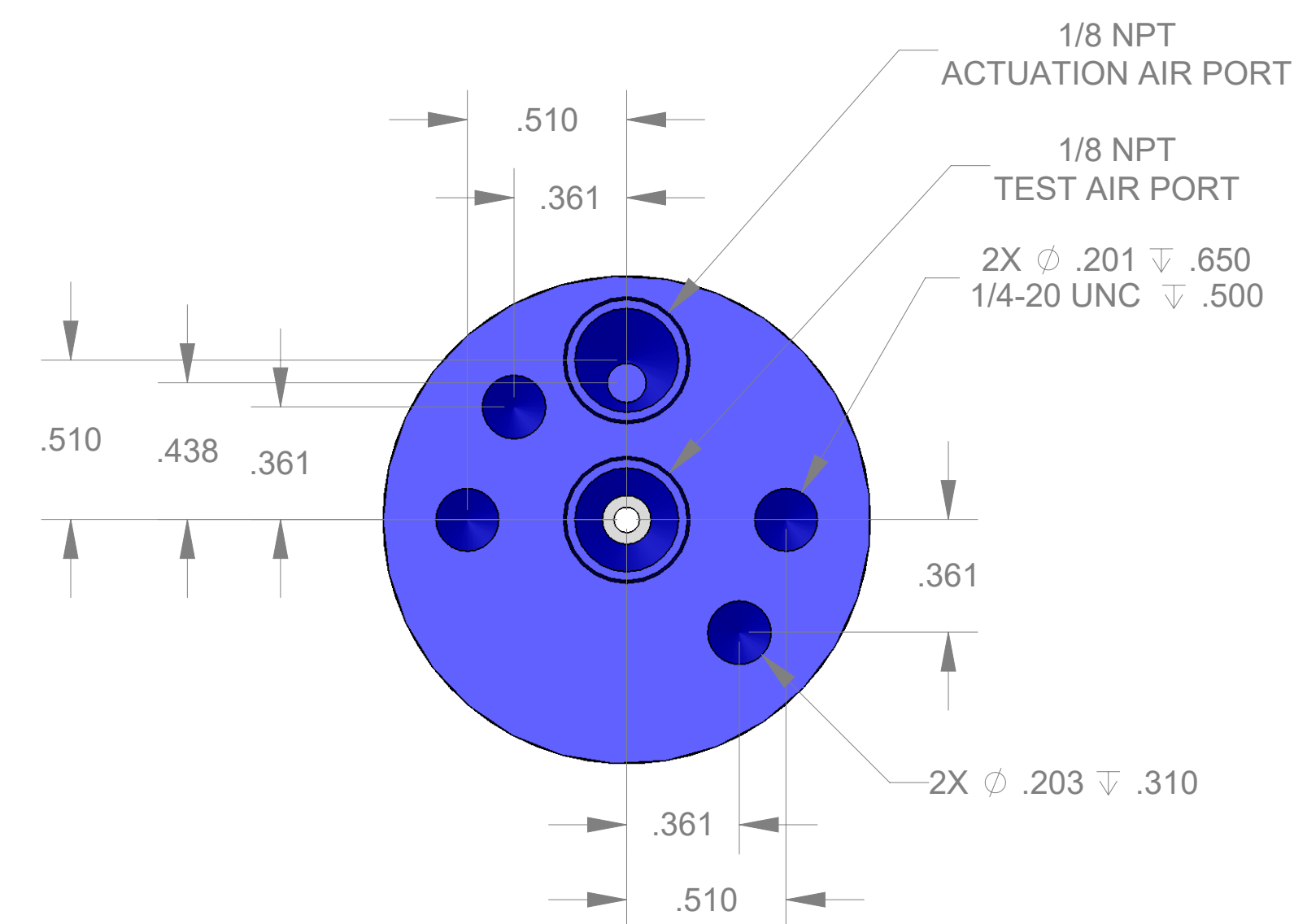
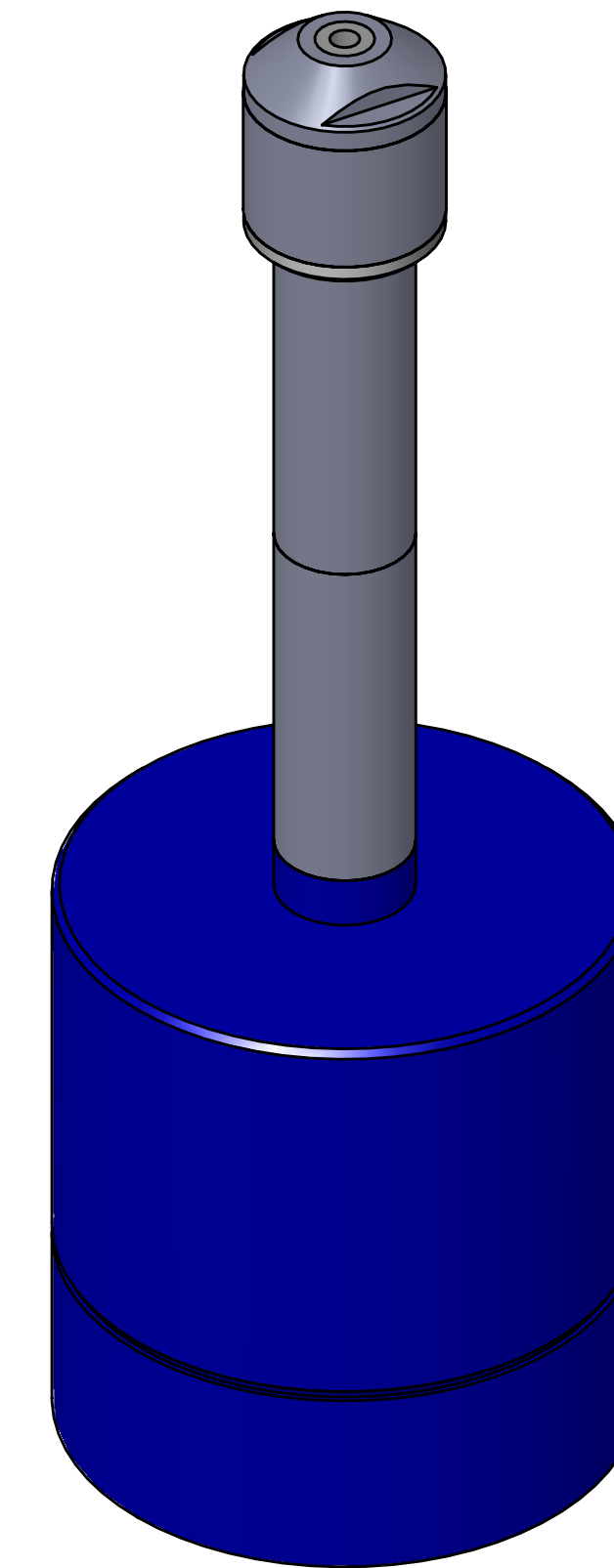


ITEM NO.	PART NUMBER	DESCRIPTION	QTY.
10	MACH-004181	BODY, CTS, CI31	1
20	MACH-004248	Cap, CTS, CI31	1
30	MACH-054204	Stem, CTS, CI31-E2.0	1
40	MACH-004577	Spacer, CTS, CI31	1
50	SEAL-005436	CI31-ORING 109	1
60	SEAL-005438	CI31-ORING 216	1
70	MACH-004295	Nose, CTS, CI31-AD	1
80	SEAL-004779	Seal, CTS, CI31-AD-M	1
90	MACH-004429	Washer, CTS, CI31-AD	1
100	MACH-004578	Spacer Extension, CTS, CI31	2



REVISIONS			
REV.	DESCRIPTION	DATE	APPROVED
A	Initial Release	03-12-2026	KM
B	Changed material of nose and seal	03-16-2026	KM



SIZE	D	DESCRIPTION	Connect Assembly, CTS, CI31-AD-E2.0-M
PART NUMBER	CTSC-001559	REV	B
DATE		DRAWN BY	KM
		CHECKED BY	KM
		SHEET	1 OF 1

FILE LOCATION: C:\PDM\PDM\R&D\Product Development\CTS Connects\C1\Connect Assembly\Medical\CI31-M\2in Stem Extension\CTSC-001559

Monday, March 16, 2026