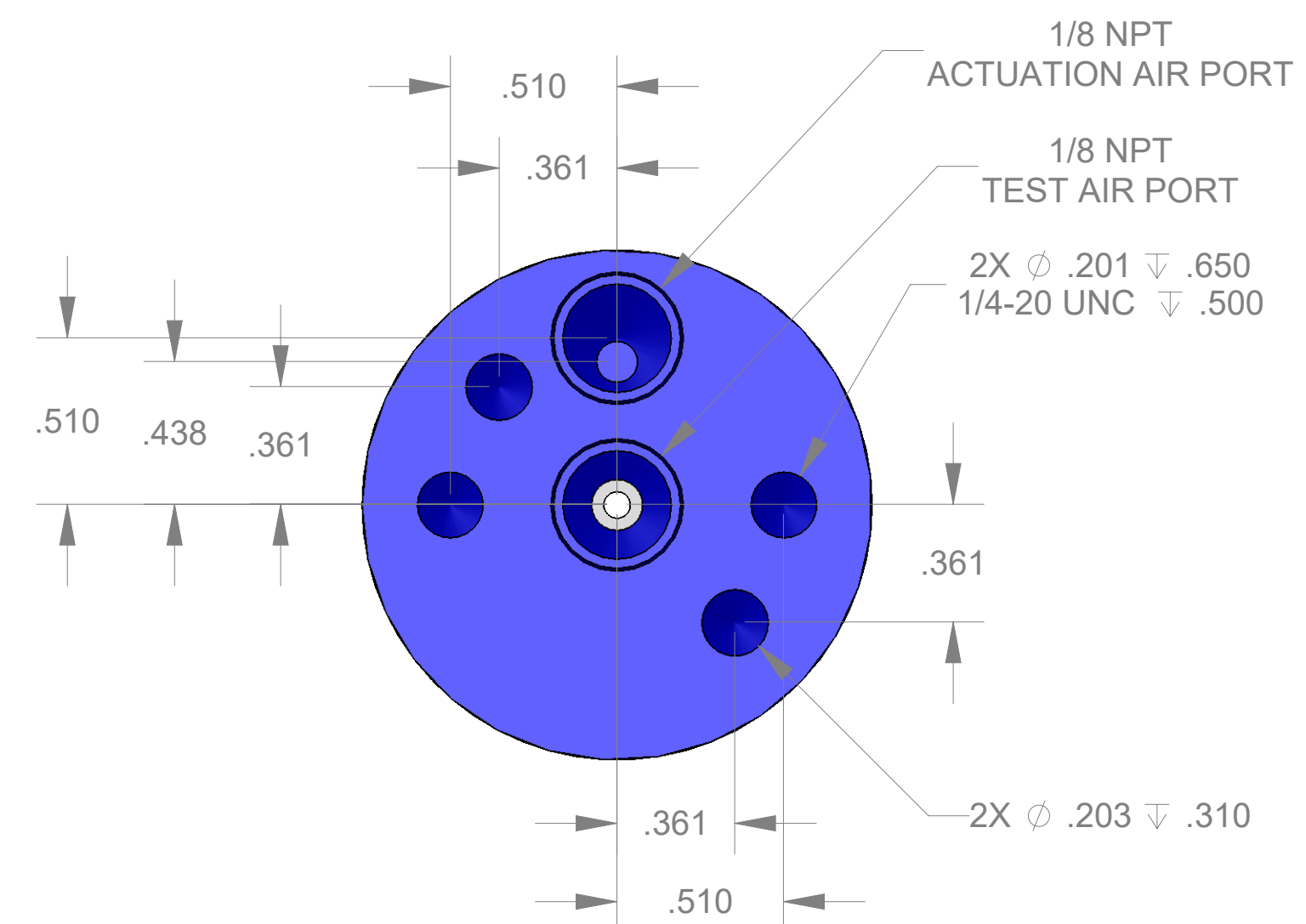
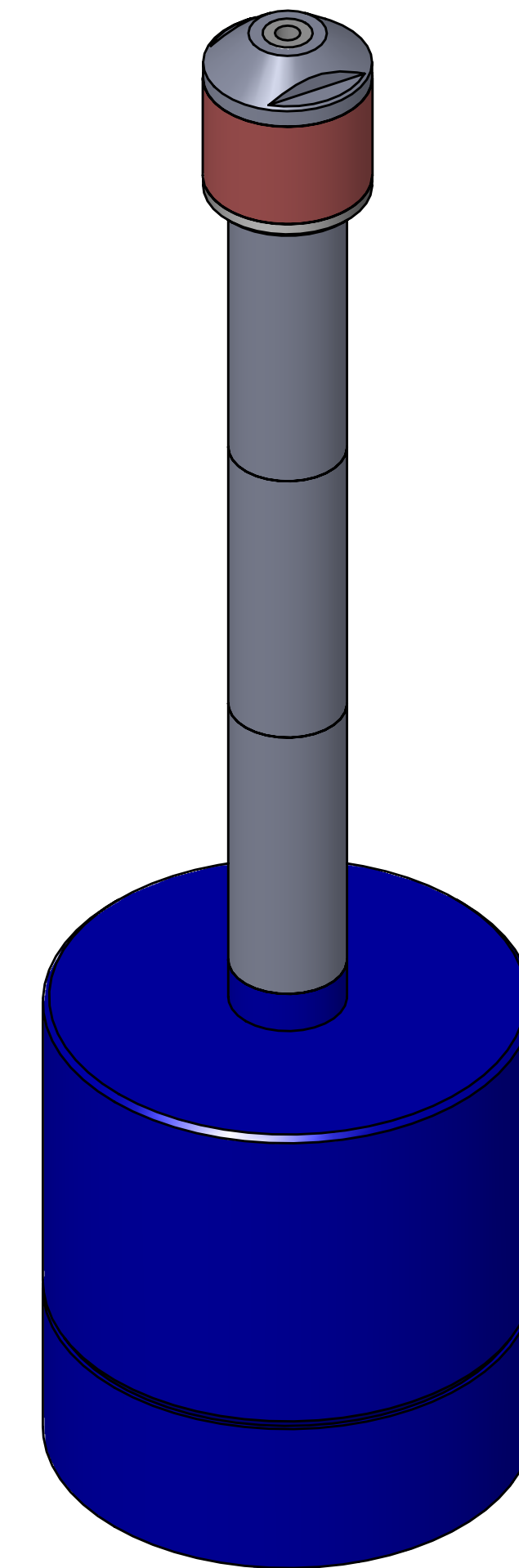


SECTION A-A

ITEM NO.	PART NUMBER	DESCRIPTION	QTY.
10	MACH-004181	BODY, CTS, CI31	1
20	MACH-004248	Cap, CTS, CI31	1
30	MACH-054205	Stem, CTS, CI31-E3.0	1
40	MACH-004577	Spacer, CTS, CI31	1
50	SEAL-005436	CI31-ORING 109	1
60	SEAL-005438	CI31-ORING 216	1
70	MACH-004295	Nose, CTS, CI31-AD	1
80	SEAL-004778	Seal, CTS, CI31-AD	1
90	MACH-004429	Washer, CTS, CI31-AD	1
100	MACH-004578	Spacer Extension, CTS, CI31	3



REVISIONS			
REV.	DESCRIPTION	DATE	APPROVED
A	Initial Release	02-11-2026	KM
B	Nose material changed from brass to 316 stainless steel	03-12-2026	KM



SIZE	DESCRIPTION			
D	Connect Assembly, CTS, CI31-AD-E3.0			
PART NUMBER	REV			
CTSC-001555	B			
DATE	DRAWN BY	CHECKED BY	SHEET	OF
7/19/05	KM	KM	1	1

FILE LOCATION: \\PDM\PDM\R&D\Product Development\CTS Connects\C\Connect Assembly\Standard\CI31\3in Stem Extension\CTSC-001555

Thursday, March 12, 2026