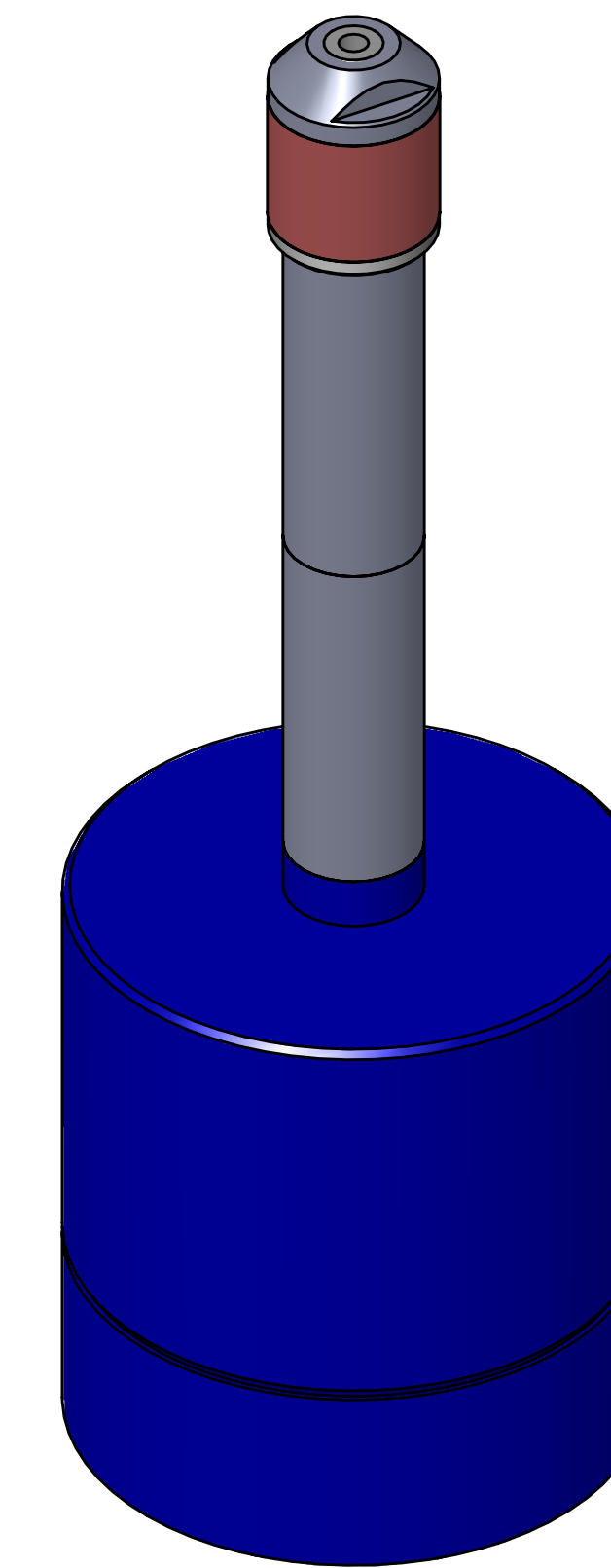
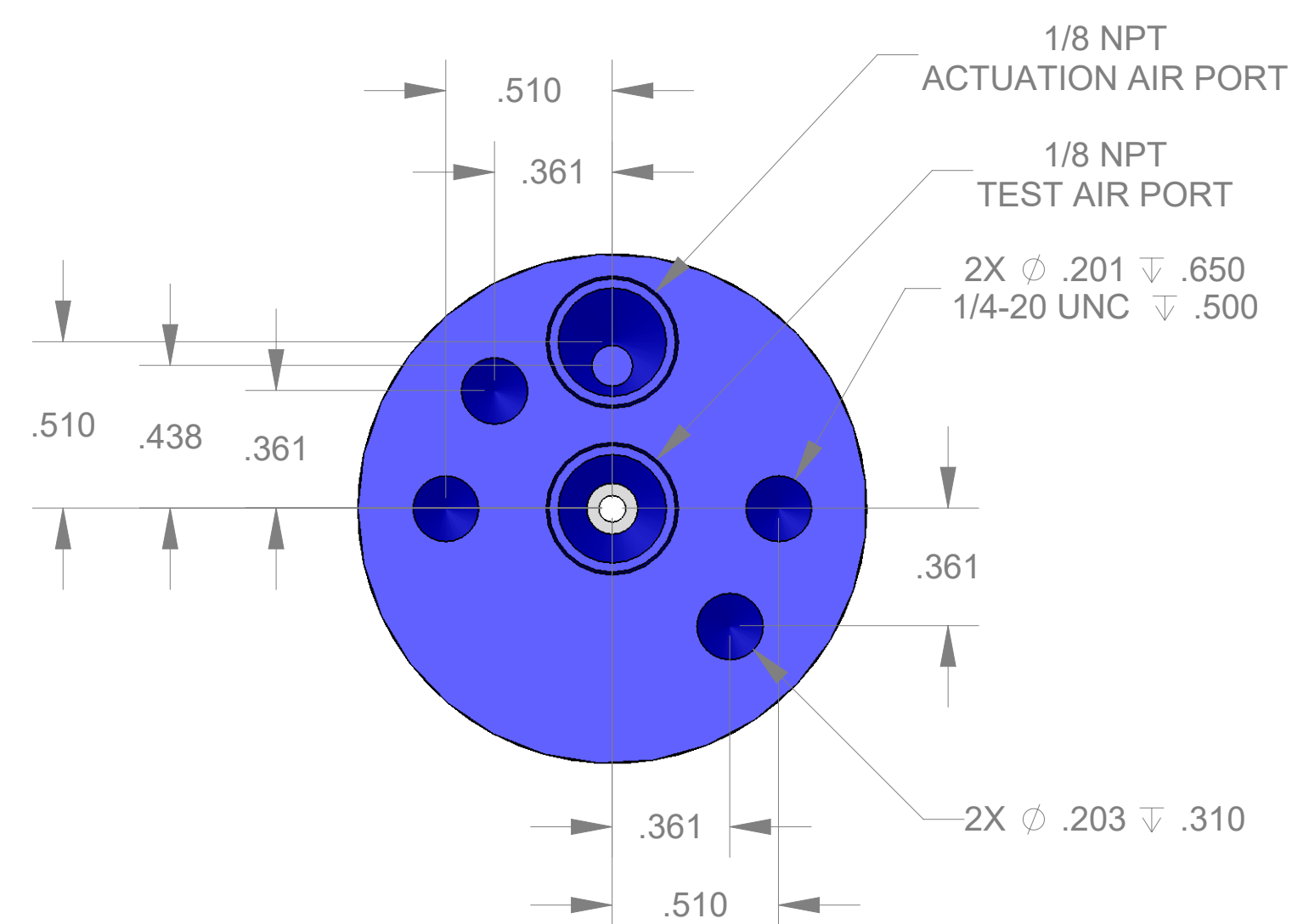


SECTION A-A



ITEM NO.	PART NUMBER	DESCRIPTION	QTY.
10	MACH-004181	BODY, CTS, CI31	1
20	MACH-004248	Cap, CTS, CI31	1
30	MACH-054204	Stem, CTS, CI31-E2.0	1
40	MACH-004577	Spacer, CTS, CI31	1
50	SEAL-005436	CI31-ORING 109	1
60	SEAL-005438	CI31-ORING 216	1
70	MACH-004293	Nose, CTS, CI31-AC	1
80	SEAL-004772	Seal, CTS, CI31-AC	1
90	MACH-004428	Washer, CTS, CI31-AC	1
100	MACH-004578	Spacer Extension, CTS, CI31	2



REVISIONS			
REV.	DESCRIPTION	DATE	APPROVED
A	Initial Release	02-06-2026	KM
B	Nose material changed from brass to 316 stainless steel	03-12-2026	KM



SIZE	DESCRIPTION			
D	Connect Assembly, CTS, CI31-AC-E2.0			
PART NUMBER	REV			
CTSC-001540	B			
DATE	DRAWN BY	CHECKED BY	SHEET	OF
7/19/05	KM	KM	1	1

FILE LOCATION: C:\PDM\PDM\R&D\Product Development\CTS Connects\CI\Connect Assembly\Standard\CI31\2in Stem Extension\CTSC-001540