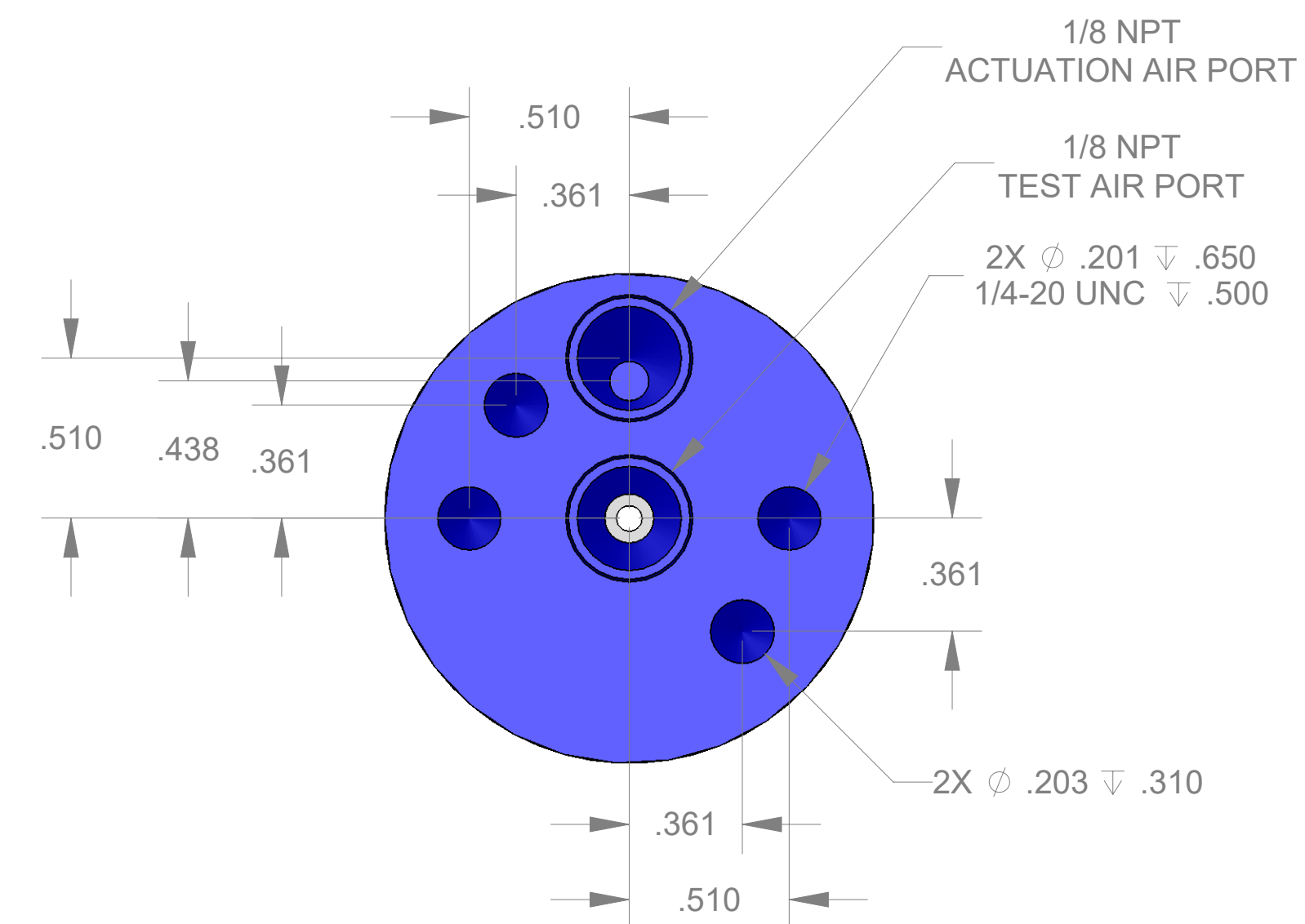
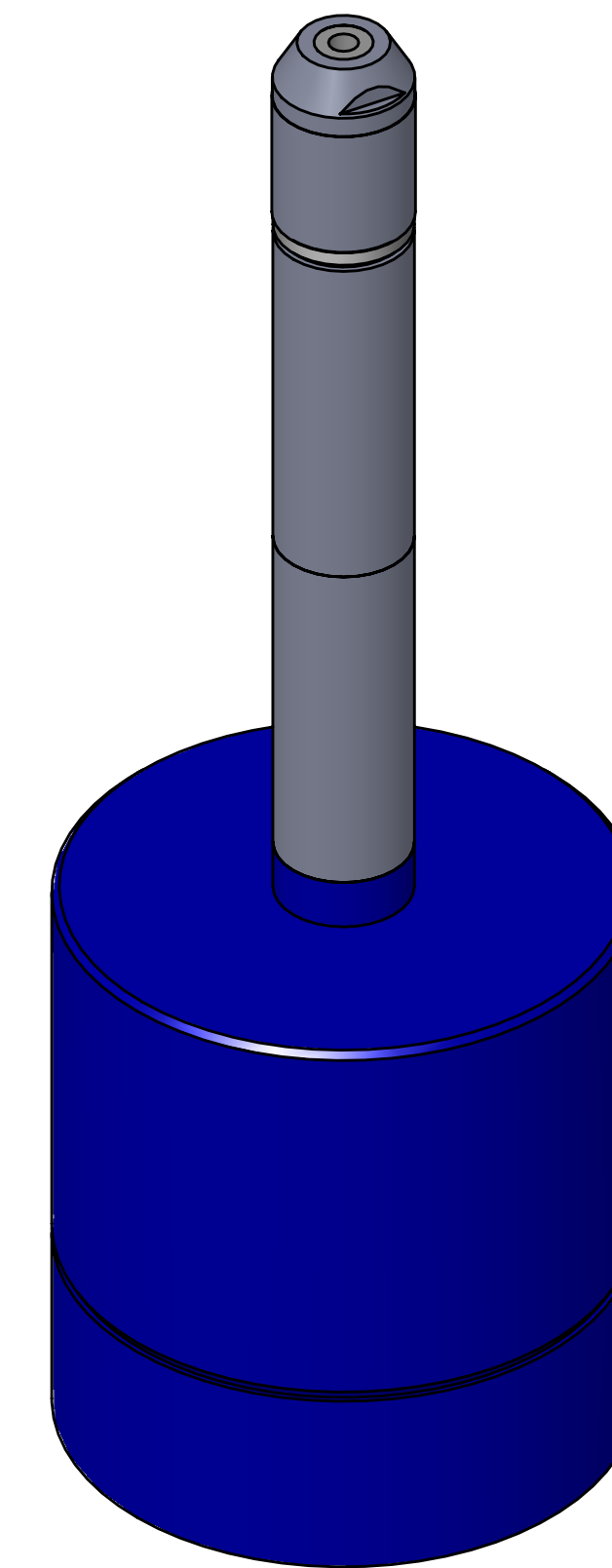


SECTION A-A



ITEM NO.	PART NUMBER	DESCRIPTION	QTY.
10	MACH-004181	BODY, CTS, CI31	1
20	MACH-004248	Cap, CTS, CI31	1
30	MACH-054204	Stem, CTS, CI31-E2.0	1
40	MACH-004577	Spacer, CTS, CI31	1
50	SEAL-005436	CI31-ORING 109	1
60	SEAL-005438	CI31-ORING 216	1
70	MACH-004290	Nose, CTS, CI31-AA	1
80	SEAL-004761	Seal, CTS, CI31-AA-M	1
90	MACH-004426	Washer, CTS, CI31-AA	1
100	MACH-004578	Spacer Extension, CTS, CI31	2



REVISIONS			
REV.	DESCRIPTION	DATE	APPROVED
A	Initial Release	01-30-2026	KM
B	Changed material of nose and seal	03-16-2026	KM



SIZE	DESCRIPTION	REV
D	Connect Assembly, CTS, CI31-AA-E2.0-M	B
PART NUMBER	CTSC-001517	
DATE	DRAWN BY: KM	CHECKED BY: KM SHEET 1 OF 1

FILE LOCATION: C:\PDM\PDM\R&D\Product Development\CTS Connects\C\Connect Assembly\Medical\CI31-M\2in Stem Extension\CTSC-001517