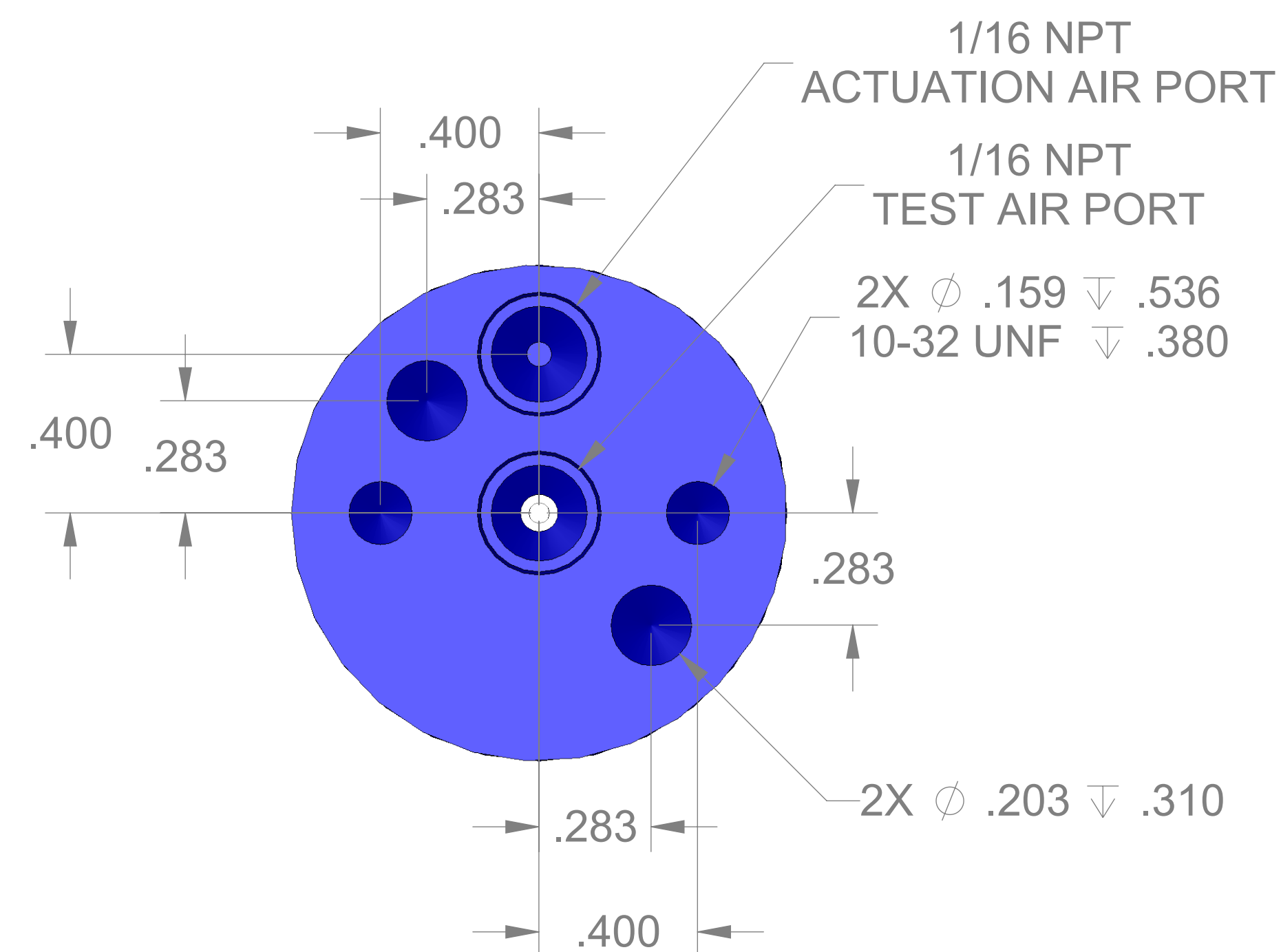
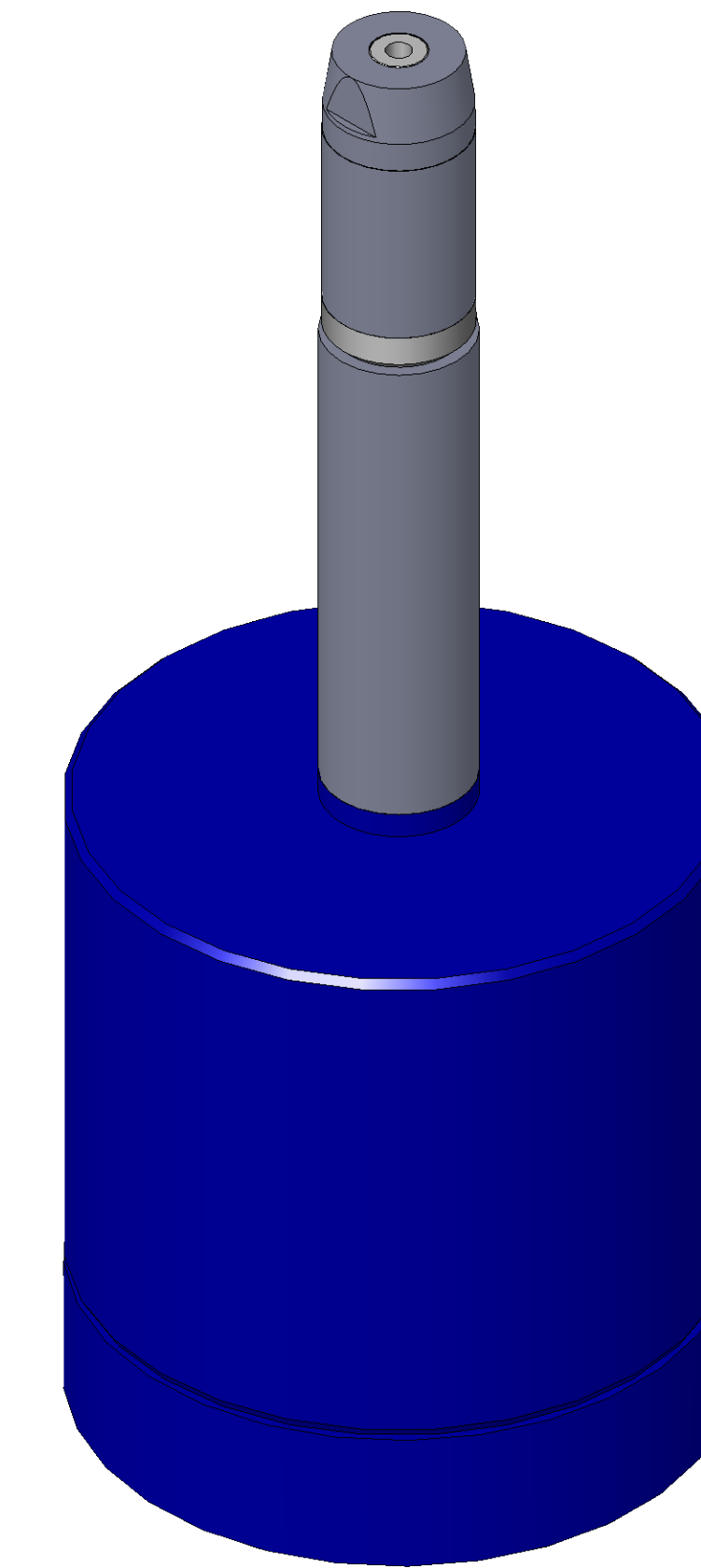


SECTION A-A
SCALE 3 : 1

ITEM NO.	PART NUMBER	DESCRIPTION	QTY.
10	MACH-004180	BODY, CTS, CI30	1
20	MACH-004247	Cap, CTS, CI30	1
30	MACH-004274	Nose, CTS, CI30-A	1
40	MACH-004415	Washer, CTS, CI30-A	1
50	MACH-004571	SPACER, CTS, CI30	1
60	MACH-054199	STEM, CTS, CI30-E1.0	1
70	SEAL-004712	Seal, CTS, CI30-A-M	1
80	SEAL-005446	CI30-ORING 009	1
90	SEAL-005447	CI30-ORING 119	1
100	MACH-004572	Extension Spacer, CTS, CI30	1



REVISIONS			
REV.	DESCRIPTION	DATE	APPROVED
A	Initial Release	03-12-2026	KM
B	Changed material of nose and seal	03-16-2026	KM



SIZE	DESCRIPTION	REV
D	Connect Assembly, CTS, CI30-A-E1.0-M	B
PART NUMBER	CTSC-001455	
DATE	DRAWN BY: KM	CHECKED BY: KM
		SHEET 1 OF 1