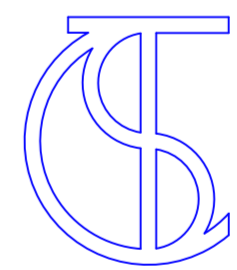


DESCRIPTION: CTS-SEAL-#CTS-20B-T		UNLESS OTHERWISE SPECIFIED		CINCINNATI TEST SYSTEMS, INC.	
MATERIAL: Urethane (72 Duro)		1) BREAK ALL SHARP CORNERS		5555 DRY FORK RD., CLEVELAND, OH 45002	
FINISH:		2) TOLERANCES: 1 PLACE DECIMAL ± .01" (0.3mm) 2 PLACE DECIMAL ± .02" (0.03mm) 3 PLACE DECIMAL ± .005" (0.015mm) ANGULAR DIMS ± 0° 30'		DRAWN BY: 	
QUANTITY:		3) ✓ INDICATES 500 MAXIMUM FINISH REQ'D ON SURFACES WITHOUT A SYMBOL		DATE: _____	
HEAT TREAT:		4) DRILLED AND COUNTERBORED HOLE DIAMETERS: - .005" / + .015" (-0.13mm / +0.4mm)		PART NO: CTS-20B-T	
		SolidWorks 2015		CHECKED BY: _____	
				SCALE: 12:1	
				SHEET: _____	