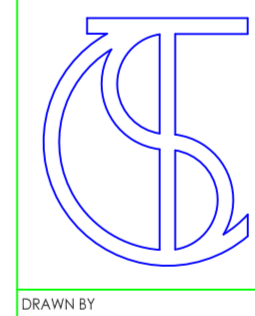


DESCRIPTION: Seal CTS-19H-T		UNLESS OTHERWISE SPECIFIED			CINCINNATI TEST SYSTEMS, INC.	
MATERIAL: Urethane (72 Duro)		1) BREAK ALL SHARP CORNERS			5555 DRY FORK RD., CLEVELAND, OH 43002	
FINISH:		2) TOLERANCES: 1 PLACE DECIMAL ± .01" (0.25mm) 2 PLACE DECIMAL ± .02" (0.50mm) 3 PLACE DECIMAL ± .005" (0.125mm) ANGULAR DIMS ± 0° 30'		CHECKED BY:		DATE:
QUANTITY:		3) ✓ INDICATES 125		DRAWN BY:		DATE:
HEAT TREAT:		4) DRILLED AND COUNTERBORED HOLE DIAMETERS: -0.005" / +0.015" (-0.127mm / +0.381mm)		CHECKED BY:		DATE:
				SCALE: 3:1		PART NO: CTS-19H-T
						SHEET