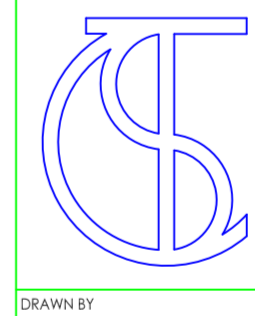


DESCRIPTION: Seal CTS-11F-T MATERIAL: Urethane (72 Duro) FINISH: QUANTITY: HEAT TREAT:		UNLESS OTHERWISE SPECIFIED 1) BREAK ALL SHARP CORNERS 2) TOLERANCES: 1 PLACE DECIMAL $\pm .001$ (0.3mm) 2 PLACE DECIMAL $\pm .002$ (0.03mm) 3 PLACE DECIMAL $\pm .005$ (0.015mm) ANGULAR DIMS $\pm 0^\circ 30'$ 3) <input checked="" type="checkbox"/> INDICATES 125 500 MAXIMUM FINISH REQ'D ON SURFACES WITHOUT A SYMBOL 4) DRILLED AND COUNTERBORED HOLE DIAMETERS: $-.005 / +.015$ (-0.13mm / +0.4mm)	 CINCINNATI TEST SYSTEMS, INC. 5555 DRY FORK RD., CLEVELAND, OH 43002 DATE: 7/7/05 PART NO: CTS-11F-T SCALE: 3:1
--	--	--	--