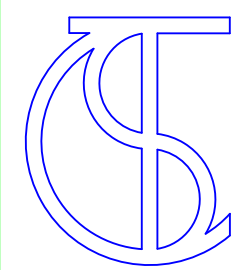


DESCRIPTION: Seal CTS-11E-T		UNLESS OTHERWISE SPECIFIED			CINCINNATI TEST SYSTEMS, INC.	
MATERIAL: Urethane (72 Duro)		1) BREAK ALL SHARP CORNERS			5555 DRY FORK RD., CLEVELAND, OH 43002	
FINISH:		2) TOLERANCES: 1 PLACE DECIMAL ± .01" (0.25mm) 2 PLACE DECIMAL ± .02" (0.50mm) 3 PLACE DECIMAL ± .005" (0.125mm) ANGULAR DIMS ± 0° 30'		DATE	7/7/05	REVISED
QUANTITY:		3) ✓ INDICATES 125 500 MAXIMUM FINISH REQ'D ON SURFACES WITHOUT A SYMBOL		DATE		CTS-11E-T
HEAT TREAT:		4) DRILLED AND COUNTERBORED HOLE DIAMETERS: - .005" / + .015" (-0.13mm / +0.4mm)		CHECKED BY	SCALE: 3:1	SHEET